



### BATTERY MODULES

A modular concept allows the user to meet individual application demands and is available with two different options:

You can order the module with an assembled battery or you can choose only the bracket allowing the mounting of individual batteries. The mounting bracket allows the battery to be assembled just in time avoiding outdated batteries due to limited shelf life.

- Long life battery: 10 to 12 years
- Easy access to the terminals and the fuse

### DATA

#### Battery

Maintenance free valve regulated lead acid battery

Battery voltage	nom	12Vdc
Battery capacity	nom	26Ah
Self-discharge	typ	3%/ month at 20°C
Design life (EUROBAT)		10 to 12 years

#### Fuse

Blade terminal fuse	nom	30A ATO® (257 030 Littelfuse)
---------------------	-----	----------------------------------

#### Terminals and Wiring

Type		Screw terminals
Solid wire	nom	2.5-4mm <sup>2</sup>
Stranded wire	nom	2.5-4mm <sup>2</sup>
American wire gauge	max	12 AWG
Wire stripping length	nom	7mm / 0.275"
Tightening torque	nom	0.8Nm / 7lb.in

#### Ambient Temperature

Operation	min	+0°C to +40°C
Storage and transport	min	-20°C to +50°C

#### Dimensions and Weight (UZK12.261)

Width	nom	214 mm / 8.43"
Height	nom	179 mm / 7.05"
Depth	nom	158 mm / 6.22"
Weight	max	9920g / 21.83lb

### ORDER NUMBERS

<b>UZK12.261</b>	Battery module
<b>UZO12.26</b>	Mounting kit without battery
<b>UZB12.261</b>	Battery replacement

### DATA

#### Instructions for Use and Disposal of the Battery

- Place the battery module outside the cabinet or in the coolest area when used inside the cabinet.
- Use wires no smaller than 2.5mm<sup>2</sup> (or 12 AWG) and not longer than 2x1.5m (cord length 1.5m).
- Disconnect battery fuse before working on the battery or on the DC-UPS.
- For storage, installation and operation, the requirements of the EN 50272-2 as well as other national regulations must be observed.
- Ensure sufficient ventilation for the battery.
- Always dispose the batteries through a recycling organisation. Batteries must be completely discharged before recycling.



#### Warranty

3 Year limited warranty except battery as battery is considered as a service part. Special conditions are part of our general terms and conditions. Do not store the battery longer than 9 month without supplementary charge or performance might change.

### MARKINGS



Marine, pending

Battery, terminal block, cables, fuse and fuse holder are **UL**-approved components.

### PHYSICAL DIMENSIONS

Fig. 1 **Front view**

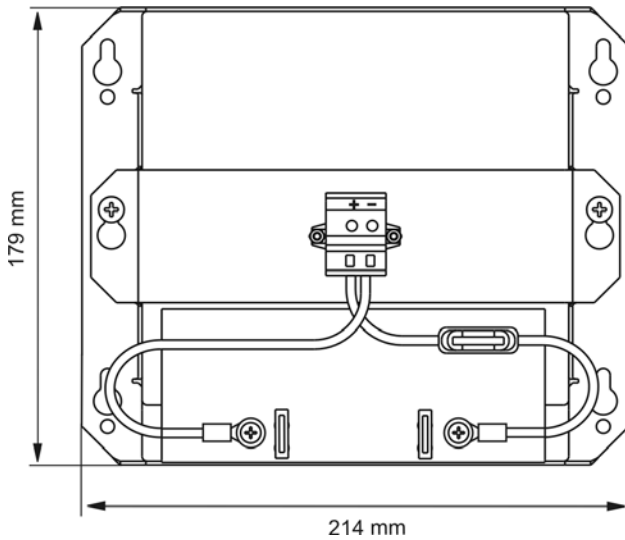
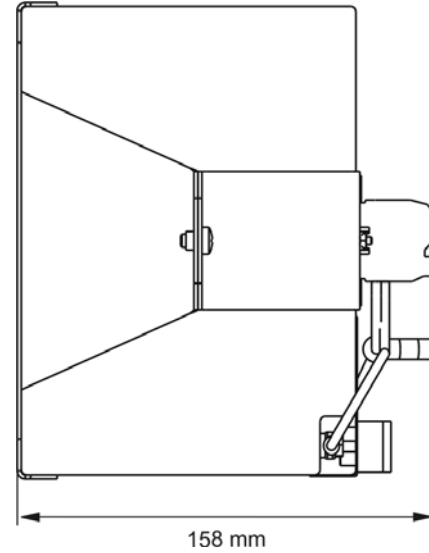


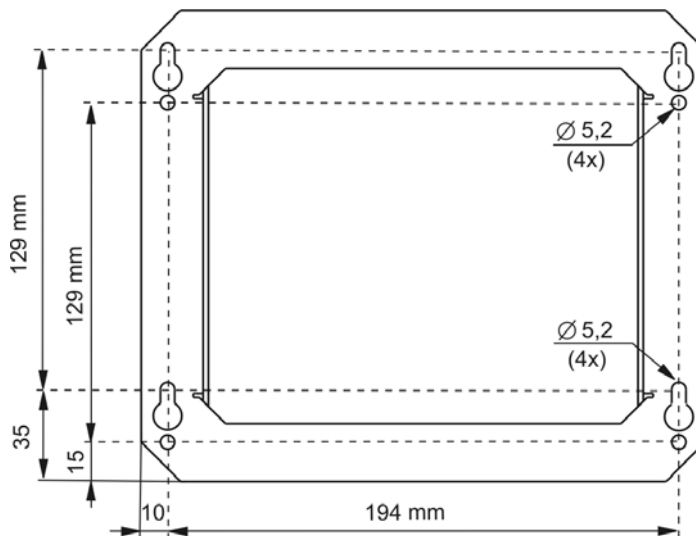
Fig. 2 **Side view**



### PANEL/WALL MOUNTING

The battery module can be mounted in upright or table-top position.

Fig. 2 **Hole pattern**



Representante en Perú

**MANUFACTURAS ELECTRICAS S.A.**

MANUFACTURAS ELECTRICAS SA  
Av. O.R. Benavides 1215 - Lima 1

Tlf: +51-1-6196200

Email: [postmast@manelsa.com.pe](mailto:postmast@manelsa.com.pe)

[www.manelsa.com.pe](http://www.manelsa.com.pe)