

### DC-UPS CONTROL UNIT

- Requires Only One 12V Battery for a 24V Output
- Allows Batteries Between 17Ah and 130Ah
- Battery Charging with Temperature Tracking
- Stable Output Voltage in Buffer Mode
- Superior Battery Management for Longest Battery Life
- Comprehensive Diagnostic and Monitoring Functions
- Replace Battery Signal Included
- Electronically Overload and Short Circuit Protected
- 50% Power Reserves
- 3 Year Warranty

## 1. GENERAL DESCRIPTION

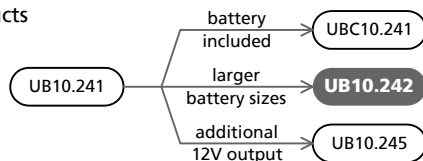
This uninterruptible power supply (UPS) controller UB10.242 is an addition to standard 24V power supplies to bridge power failures of remote or emergency systems which must be kept fully in operation for e.g. 72 hours.

The DC-UPS includes an internal temperature sensor and a professional battery management system which charges and monitors the battery to achieve the longest battery service life as well as many diagnostic functions that ensure a reliable operation of the entire system.

A unique feature of the UB10 Series is that only one 12V battery is required to buffer the 24V output. This makes matching batteries unnecessary and allows a precise battery charging and testing.

#### UB10-Series

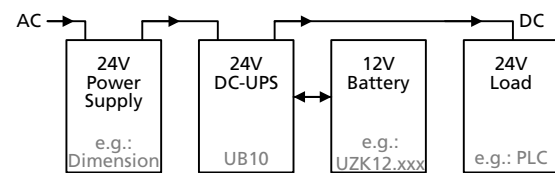
Related products



## 2. SHORT-FORM DATA

Input voltage	nom. 24Vdc	
range	22.5-30Vdc	
Output current	min. 15A	Normal mode
	min. 10A	Buffer mode
Output voltage	typ. 0.23V lower as input voltage	Normal mode
	22.25V	Buffer mode, 10A
Allowed batteries	17Ah to 130Ah	VRLA lead acid
Temperature range	-25 to +50°C	
Dimensions	49x124x117mm	WxHxD
Buffer time (at 10A)	typ. 55 minutes	26Ah battery
	typ. 4 hours	100Ah battery

Typical setup of a DC-UPS system:



## 3. ORDER NUMBERS

DC-UPS	<b>UB10.242</b>	Controller
Accessories	<b>UZK12.261</b>	Battery module 12V 26Ah
	<b>UZ012.26</b>	Mounting kit w/o battery
	<b>ZM1.WALL</b>	Panel/Wall mount bracket

## 4. MARKINGS



### INDEX PAGE

1. General Description .....	1
2. Short-form Data .....	1
3. Order Numbers .....	1
4. Markings .....	1
5. Input .....	3
6. Output in Normal Mode .....	4
7. Output in Buffer Mode .....	5
8. Battery Input .....	6
9. Buffer Time .....	7
10. Efficiency and Power Losses .....	8
11. Functional Diagram .....	8
12. Check Wiring and Battery Quality Tests .....	9
13. End-of-Charge Voltage .....	9
14. Relay Contacts and Inhibit Input .....	10
15. Front Side User Elements .....	11
16. Terminals and Wiring .....	12

### INDEX PAGE

17. Reliability .....	12
18. EMC .....	13
19. Environment .....	14
20. Protection Features .....	14
21. Safety .....	15
22. Approvals .....	15
23. Fulfilled Standards .....	15
24. Used Substances .....	16
25. Physical Dimensions and Weight .....	16
26. Installation Notes .....	17
27. Accessories .....	18
28. Application Notes .....	19
28.1. Battery Replacement Intervals .....	19
28.2. Parallel and Serial Use .....	20
28.3. Using the Inhibit Input .....	21
28.4. Troubleshooting .....	21

### INTENDED USE

The unit shall only be installed and put into operation by qualified personnel.

This unit is designed for installation in an enclosure and is intended for general use, such as in industrial control, office, communication, and instrumentation equipment. Do not use this device in aircraft, trains and nuclear equipment, where malfunctioning of the power supply may cause severe personal injury or threaten human life.

### TERMINOLOGY AND ABBREVIATIONS

<b>DC-UPS</b>	Uninterruptible power supply with DC-Input.
<b>Normal mode</b>	Describes a condition where the battery is charged, the input voltage is in range and the output is loaded within the allowed limits.
<b>Buffer mode</b>	Describes a condition where the input voltage is below the transfer threshold level, the unit is running on battery (buffering) and the output is loaded within the allowed limits.
<b>Charging mode</b>	Describes a condition where the battery is being charged, the input voltage is in range and the output is loaded within the allowed limits.
<b>Inhibit mode</b>	Describes a condition where buffering is disabled on purpose by using the inhibit input of the DC-UPS. (e.g. for service actions, or to save battery capacity)
<b>Buffer time</b>	Same as the term "hold-up time".
<b>T.b.d.</b>	To be defined, value or description will follow later.

### DISCLAIMER

The information presented in this document is believed to be accurate and reliable and may change without notice. Some parts of this unit are patent by PULS (US patent No 091662,063, Des. 424,529, ...).

No part of this document may be reproduced or utilized in any form without permission in writing from the publisher.

### 5. INPUT

Input voltage	nom.	DC 24V	
Input voltage ranges	nom.	22.5 to 30Vdc 30 to 35Vdc 35Vdc  0 to 22.5Vdc	Continuous operation, see Fig. 5-1 Temporarily allowed, no damage to the DC-UPS *) Absolute maximum input voltage with no damage to the DC-UPS The DC-UPS switches into buffer mode and delivers output voltage from the battery if the input was above the turn-on level before and all other buffer conditions are fulfilled.
Allowed input voltage ripple	max.	1.5Vpp 1Vpp	Bandwidth <400Hz Bandwidth 400Hz to 1kHz
Allowed voltage between input and earth (ground)	max.	60Vdc or 42.4Vac	
Turn-on voltage	typ.	22.8Vdc	The output does not switch on if the input voltage does not exceed this level.
	max.	23Vdc	
Input current **)	typ.	120mA	Internal current consumption for the DC-UPS
	typ.	2.0A	Current consumption for battery charging ***)
	max.	2.7A	
External capacitors on the input		No limitation	

\*) The DC-UPS shows "Check Wiring" with the red LED and buffering is not possible

\*\*\*) The total input current is the sum of the output current, the current which is required to charge the battery during the charging process and the current which is needed to supply the DC-UPS itself. See also Fig. 5-2. This calculation does not apply in overload situations where the DC-UPS limits the output current, therefore see Fig. 5-3.

\*\*\*) Please note: This is the input current and not the current which flows into the battery during charging. The battery current can be found in chapter 8.

Fig. 5-1 Input voltage range

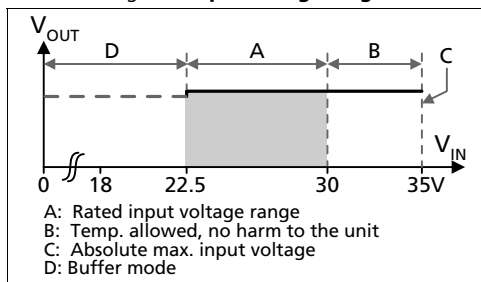
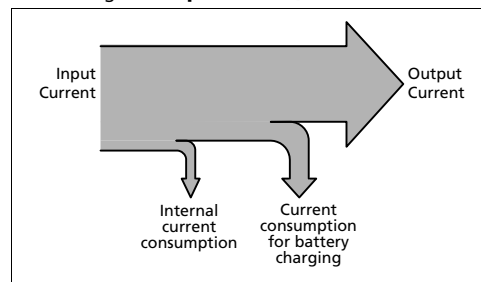


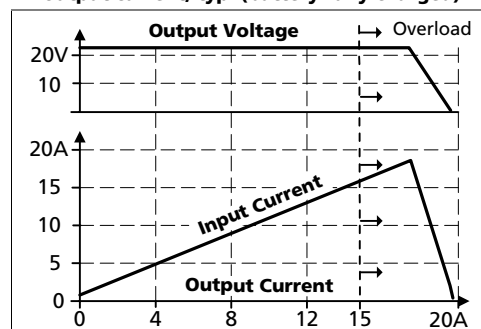
Fig. 5-2 Input current, definitions



#### Electronic output current limitation

The DC-UPS is equipped with an electronic output current limitation. This current limitation works in a switching mode which reduces the power losses and heat generation to a minimum. As a result, the output voltage drops since there is not enough current to support the load. A positive effect of the current limitation in switching mode is that the input current goes down despite an increase in the output current resulting in less stress for the supplying source.

Fig. 5-3 Input current and output voltage vs. output current, typ. (battery fully charged)





### 7. OUTPUT IN BUFFER MODE

If the input voltage falls below a certain value (transfer threshold level), the DC-UPS starts buffering without any interruption or voltage dips. Buffering is possible even if the battery is not fully charged.

Output voltage in buffer mode	nom.	DC 24V	Output voltage is stabilized and independent from battery voltage
		22.45V	±1%, at no load,
		22.25V	±1%, at 10A output current
Transfer threshold for buffering	typ.	80mV higher than the output voltage in buffer mode	
Ripple and noise voltage	max.	20mVpp	20Hz to 20MHz, 50Ohm
Output current	nom.	10A	Continuously allowed
		15A	< 5s with full output voltage *)
Short-circuit current	min.	17.9A	Load impedance 100mOhm **)
	max.	21A	Load impedance 100mOhm **)

- \*) If the output current is in the range between 10A and 15A for longer than 5s, a hardware controlled reduction of the maximal output current to 10A occurs. If the 10A are not sufficient to maintain the 24V, buffering stops after another 5s. The buffering is possible again as soon as the input voltage recovers.
- \*\*\*) If the nominal output voltage cannot be maintained in buffer mode, the DC-UPS switches off after 5s to save battery capacity.

Fig. 7-1 Buffering transition, definitions

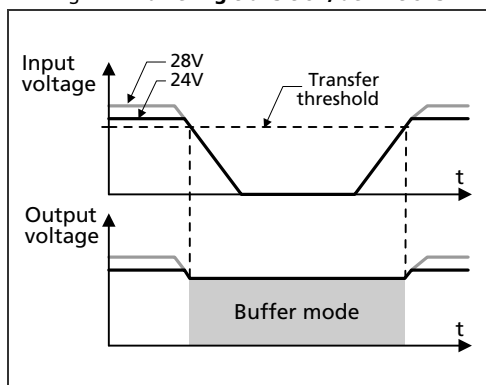


Fig. 7-2 Transfer behavior, typ.

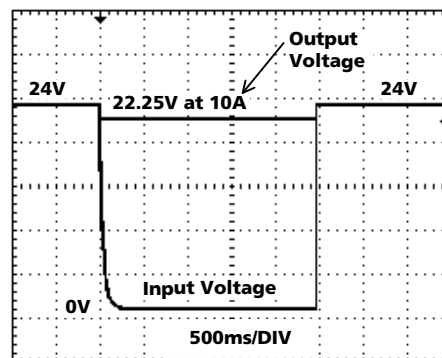


Fig. 7-3 Available output current in buffer mode

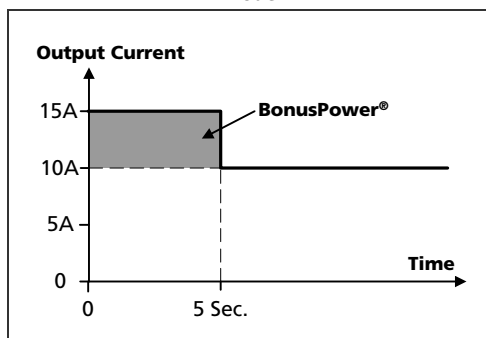
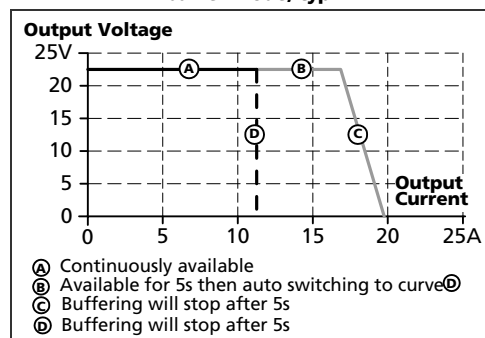


Fig. 7-4 Output voltage vs. output current in buffer mode, typ.



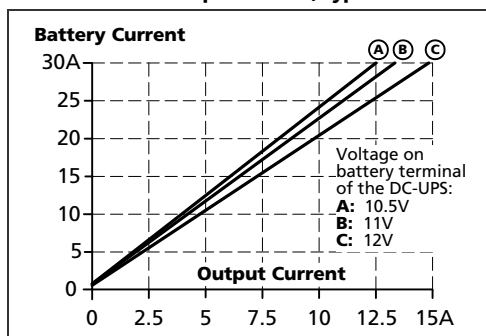
### 8. BATTERY INPUT

The DC-UPS requires one 12V VRLA battery to buffer the 24V output.

Battery voltage	nom.	DC 12V	Use one maintenance-free 12V VRLA lead acid battery or one battery module which is listed in the chapter accessories.
Battery voltage range		9.0 – 15.0V	Continuously allowed, except deep discharge protection Absolute maximum voltage with no damage to the unit Above this voltage level battery charging is possible
	max.	35Vdc	
	typ.	7.4V	
Allowed battery sizes	min.	17Ah	
	max.	130Ah	
Internal battery resistance	max.	100mOhm	See individual battery datasheets for this value
Battery charging method		CC-CV	Constant current, constant voltage mode
Battery charging current (CC-mode)	nom.	3.0A	Independent from battery size,
	max.	3.4A	
End-of-charge-voltage (CV-mode)		13.0-14.4V	See chapter 15
Battery charging time	typ.	9h *)	For a 26Ah battery
	typ.	34h *)	For a 100Ah battery
Battery discharging current **)	typ.	21A	Buffer mode, 10A output current, 11.5V on the battery terminal of the DC-UPS, see Fig. 8-1 for other parameters
	typ.	0.3A	Buffer mode, 0A output current
	max.	50µA	At no input, buffering had switched off, all LEDs are off
	typ.	270mA	At no input, buffering had switched off, yellow LED shows "buffer time expired" (max. 15 minutes)
Deep discharge protection ***)	typ.	10.5V	At 0A output current
	typ.	9.8V	At 10A output current

- \*) The charging time depends on the duration and load current of the last buffer event. The numbers in the table represent a fully discharged battery.
- \*\*\*) The current between the battery and the DC-UPS is more than twice the output current. This is caused by boosting the 12V battery voltage to a 24V level. This high current requires large wire gauges and short cable length for the longest possible buffer time. The higher the resistance of the connection between the battery and the DC-UPS, the lower the voltage on the battery terminals which increases the discharging current. See also chapter 26 for more installation instructions.
- \*\*\*) To ensure longest battery lifetime, the DC-UPS has a battery deep discharge protection feature included. The DC-UPS stops buffering when the voltage on the battery terminals of the DC-UPS falls below a certain value. The yellow LED will show "buffer time expired" for a period of 15 minutes after the unit stopped buffering.

Fig. 8-1 Battery discharging current vs. output current, typ.



Oct. 2009 / Rev. 1.0 DS-UB10.242-EN  
 All parameters are specified at an input voltage of 24V, 10A output load, 25°C ambient and after a 5 minutes run-in time unless otherwise noted. It is assumed that the input power source can deliver a sufficient output current.

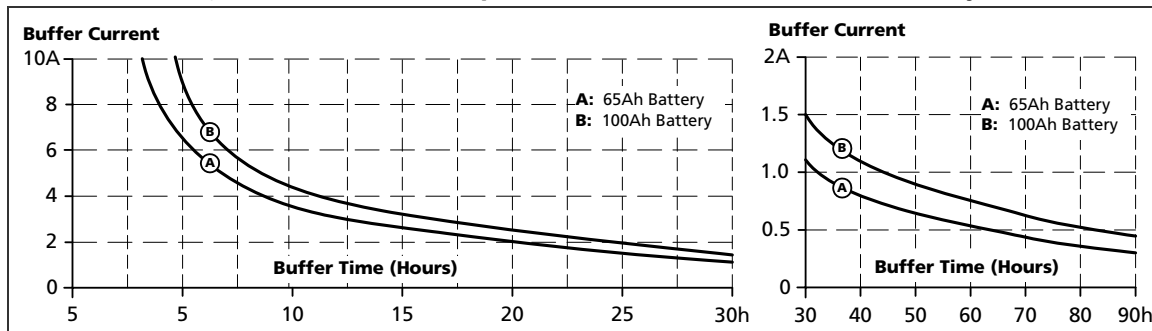
### 9. BUFFER TIME

The buffer time depends on the capacity and performance of the battery as well as the load current. The diagram below shows the typical buffer times of the standard battery modules.

Buffer time with 26Ah battery (UZK12.261)	min.	99'30''	At 5A output current *)
	min.	39'	At 10A output current *)
	typ.	130'	At 5A output current, see Fig. 9-1 **)
	typ.	55'	At 10A output current, see Fig. 9-1 **)
Buffer time with 100Ah battery	min.	62h 20'	At 0.5A output current *)
	min.	3h	At 10A output current *)
	typ.	82h 20'	At 0.5A output current, see Fig. 9-1 **)
	typ.	4h	At 10A output current, see Fig. 9-1 **)

- \*) Minimum value includes 20% aging of the battery and a cable length of 1.5m with a cross section of 2.5mm<sup>2</sup> between the battery and the DC-UPS and requires a fully charged (min. 24h) battery.
- \*\*\*) Typical value includes 10% aging of the battery and a cable length of 0.3m with a cross section of 2.5mm<sup>2</sup> between the battery and the DC-UPS and requires a fully charged (min. 24h) battery.

Fig. 9-1 Buffer time vs. output current with a 65Ah and a 100Ah battery



The battery capacity is usually specified in amp-hours (Ah) for a 20h discharging event. The battery discharge is non-linear (due to the battery chemistry). The higher the discharging current, the lower the appropriate battery capacity. The magnitude of the reduction depends on the discharging current as well as on the type of battery. High current battery types can have up to 50% longer buffer times compared to regular batteries when batteries will be discharged in less than 1 hour.

High discharging currents do not necessarily mean high power losses as the appropriate battery capacity is reduced with such currents. When the battery begins to recharge after a discharging event, the process is completed much faster since only the energy which was taken out of the battery needs to be "refilled".

For this reason, the buffer time cannot be calculated using the Ah capacity value. The equation "I x t" = capacity in Ah generally leads to incorrect results when the discharging current is higher than C20 (discharging current for 20h).

### 10. EFFICIENCY AND POWER LOSSES

Efficiency	typ.	97.8%	Normal mode, 10A output current, battery fully charged
Power losses	typ.	2.9W	Normal mode, 0A output current, battery fully charged
	typ.	5.5W	Normal mode, 10A output current, battery fully charged
	typ.	7.2W	During battery charging, 0A output current
	typ.	18.5W	Buffer mode, 10A output current

Fig. 10-1 Efficiency at 24V, typ.

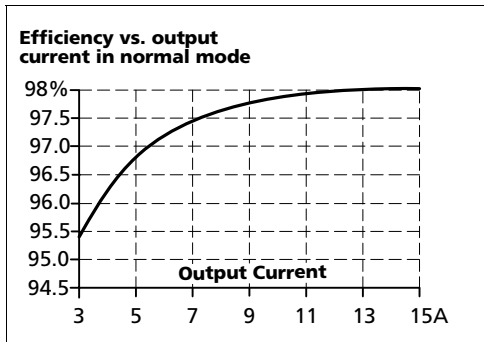
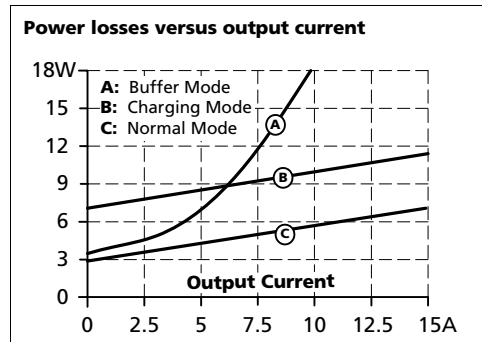
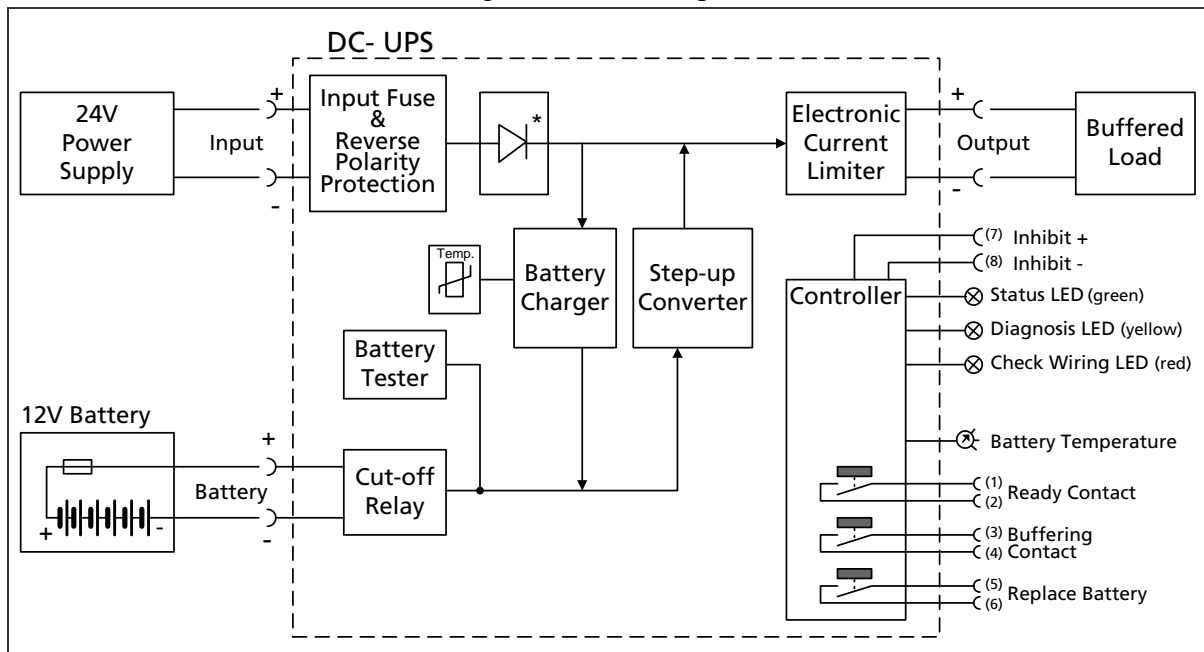


Fig. 10-2 Losses at 24V, typ.



### 11. FUNCTIONAL DIAGRAM

Fig. 11-1 Functional diagram



\*) Return current protection; This feature utilizes a Mosfet instead of a diode in order to minimize the voltage drop and power losses.



## 12. CHECK WIRING AND BATTERY QUALITY TESTS

The DC-UPS is equipped with an automatic "Check Wiring" and "Battery Quality" test.

### **"Check Wiring" test:**

Under normal circumstances, an incorrect or bad connection from the battery to the DC-UPS or a missing (or blown) battery fuse would not be recognized by the UPS when operating in normal mode. Only when back up is required would the unit not be able to buffer. Therefore, a "check wiring" test is included in the DC-UPS. This connection is tested every 10 seconds by loading the battery and analyzing the response from the battery. If the resistance is too high, or the battery voltage is not in range, the unit displays "Check Wiring" with the red LED. At the same time the green "Ready" LED will turn off.

### **"Battery Quality" or "State of Health" (SoH) test:**

The battery has a limited service life and needs to be replaced in a fixed interval which is defined by the specified service life (acc. to the Eurobat guideline), based on the surrounding temperature and the number of charging/discharging cycles. If the battery is used longer than the specified service life, the battery capacity will degrade. Details can be found in chapter 28.1. The battery quality test can not determine a gradual loss in capacity. However, it can detect a battery failure within the specified service life of the battery. Therefore a battery quality test is included in the DC-UPS.

A battery problem is indicated with the yellow LED (replace battery pattern) and the relay contact "Replace Battery". Please note that it can take up to 170 hours (with the largest size of battery) until a battery problem is reported. This should avoid nuisance error messages as any urgent battery problems will be reported by the "Check Wiring" test and create a warning signal.

When "Replace battery" is indicated, it is recommended to replace battery as soon as possible.

## 13. END-OF-CHARGE VOLTAGE

The end-of-charge voltage depends on the temperature of the battery. A too high end-of-charge voltage can damage the battery and shorten its lifetime. Therefore, the DC-UPS has an internal temperature sensor included, which regulates the end-of-charge voltage depending of the battery temperature. To achieve the longest lifetime, the battery should be placed at a coldest location.

The temperature difference between the DC-UPS and the battery requires a correction of the end-of-charge voltage. This can be done with the selector on the front side of the unit. For details see chapter 15.

### 14. RELAY CONTACTS AND INHIBIT INPUT

The DC-UPS is equipped with relay contacts and signal inputs for remote monitoring and controlling of the unit.

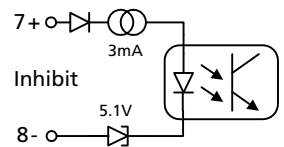
**Relay contacts:**

- Ready: Contact is closed when battery is charged more than 85%, no wiring failure is recognized, input voltage is sufficient and inhibit signal is not active.
- Buffering: Contact is closed when unit is buffering.
- Replace Battery: Contact is closed when the unit is powered from the input and the battery quality test (SOH test) reports a negative result.

Relay contact ratings	max	60Vdc 0.3A, 30Vdc 1A, 30Vac 0.5A resistive load
	min	1mA at 5Vdc min.
Isolation voltage	max	500Vac, signal port to power port

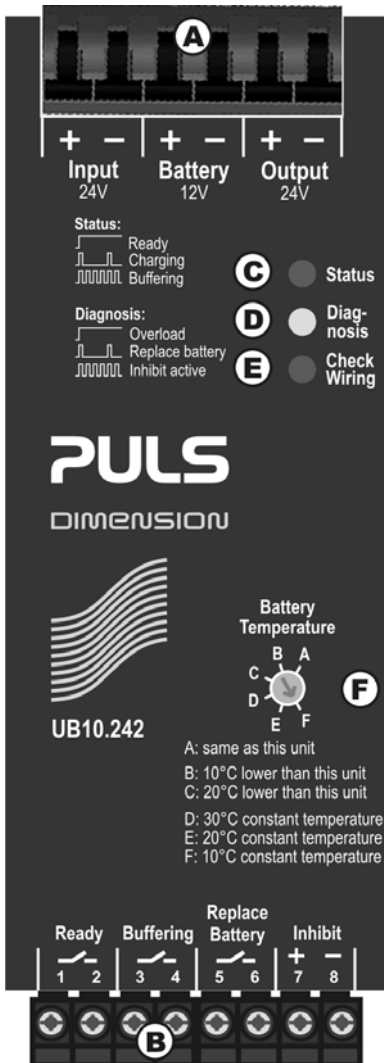
**Signal input:**

Inhibit: The inhibit input disables buffering. In normal mode, a static signal is required. In buffer mode, a pulse with a minimum length of 250ms is required to stop buffering. The inhibit is stored and can be reset by cycling the input voltage. See also section 28.3 for application hints.



Signal voltage	max.	35Vdc
Signal current	max.	6mA, current limited
Inhibit threshold	min.	6Vdc, buffering is disabled above this threshold level
	max.	10Vdc
Isolation	nom.	500Vac, signal port to power port

### 15. FRONT SIDE USER ELEMENTS



#### A Power Port

Quick-connect spring-clamp terminals, connection for input voltage, output voltage and battery

#### B Signal Port

Plug connector with screw terminals, inserted from the bottom. Connections for the Ready, Buffering, Replace Battery relay contacts and for the Inhibit input. See details in chapter 14.

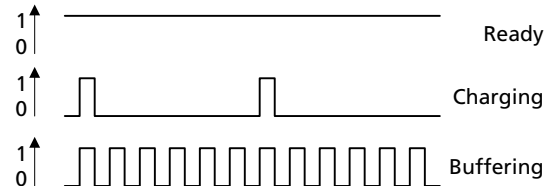
#### C Green Status LED

**Ready:** Battery is charged > 85%, no wiring failure is recognized, input voltage is sufficient and inhibit signal is not active.

**Charging:** Battery is charging and the battery capacity is below 85%.

**Buffering:** Unit is in buffer mode.

Flashing pattern of the green status LED:



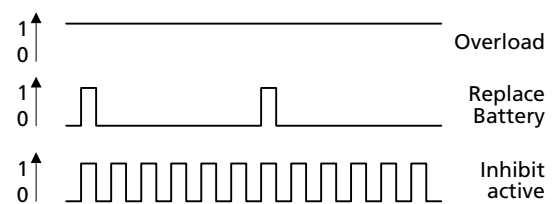
#### D Yellow Diagnosis LED

**Overload:** Output has switched off due to long overload in buffer mode or due to high temperatures.

**Replace battery:** Indicates a battery which failed the battery quality test (SoH test). Battery should be replaced soon.

**Inhibit active:** Indicates that buffering is disabled due to an active inhibit signal.

Flashing pattern of the yellow diagnosis LED:



#### E Red Check Wiring LED

This LED indicates a failure in the installation (e.g. too low input voltage), wiring, battery or battery fuse.

#### F Battery Temperature Selector

A: Same than this unit

B: 10°C lower than this unit

C: 20°C lower than this unit

D: Battery temperature is 30°C

E: Battery temperature is 20°C

F: Battery temperature is 10°C

Temperature compensated end-of-charge voltage

Temperature compensated end-of-charge voltage with an offset conditional upon the temperature

Temperature compensated end-of-charge voltage with an offset conditional upon the temperature

Fixed end of charge voltage for 30°C battery temperature

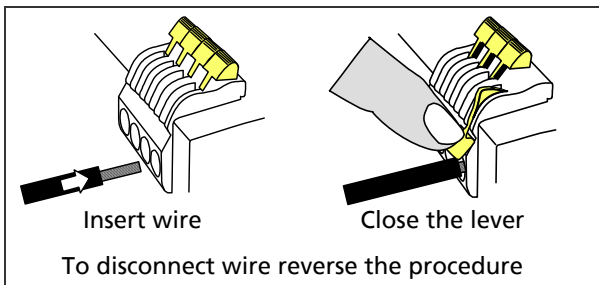
Fixed end of charge voltage for 20°C battery temperature

Fixed end of charge voltage for 10°C battery temperature

### 16. TERMINALS AND WIRING

	Power terminals	Signal terminals
Type	Bi-stable, quick-connect spring-clamp terminals. IP20 Finger-touch-proof. Suitable for field- and factory installation. Shipped in open position.	Plug connector with screw terminal. Finger-touch-proof construction with captive screws for 3.5mm slotted screwdriver. Suitable for field- and factory installation. Shipped in open position. To meet GL requirements, unused terminal compartments should be closed.
Solid wire	0.5-6mm <sup>2</sup>	0.2-1.5mm <sup>2</sup>
Stranded wire	0.5-4mm <sup>2</sup>	0.2-1.5mm <sup>2</sup>
AWG	20-10AWG	22-14AWG
Ferrules	Allowed, but not required	Allowed, but not required
Pull-out force	10AWG:80N, 12AWG:60N, 14AWG:50N, 16AWG:40N according to UL486E	Not applicable
Tightening torque	Not applicable	0.4Nm, 3.5lb.in
Wire stripping length	10mm / 0.4inch	6mm / 0.24inch

Fig. 16-1 Spring-clamp terminals, connecting a wire



**Instructions:**

- a) Use appropriate copper cables, that are designed for an operating temperature of 60°C
- b) Follow national installation codes and regulations!
- c) Ensure that all strands of a stranded wire enter the terminal connection!
- d) Up to two stranded wires with the same cross section are permitted in one connection point

### 17. RELIABILITY

Lifetime expectancy	min.	137 400h	At 10A output current, 40°C
	min.	> 15 years	At 5A output current, 40°C
	min.	> 15 years	At 10A output current, 25°C
MTBF SN 29500, IEC 61709		886 000h	At 10A output current, 40°C
		1 482 000h	At 10A output current, 25°C
MTBF MIL HDBK 217F		397 900	At 10A output current , 40°C, ground benign GB40
		545 000	At 10A output current , 25°C, ground benign GB25

The **Lifetime expectancy** shown in the table indicates the operating hours (service life) and is determined by the lifetime expectancy of the built-in electrolytic capacitors. Lifetime expectancy is specified in operational hours. Lifetime expectancy is calculated according to the capacitor’s manufacturer specification. The prediction model allows a calculation of up to 15 years from date of shipment.

**MTBF** stands for **Mean Time Between Failure**, which is calculated according to statistical device failures and indicates reliability of a device. It is the statistical representation of the likelihood of a unit to fail and does not necessarily represent the life of a product.

### 18. EMC

The unit is suitable for applications in industrial environment as well as in residential, commercial and light industry environment without any restrictions. The CE mark indicates conformance with EMC guideline 89/336/EC, 93/68/EC and 2004/108/EC and the low-voltage directive (LVD) 73/23/EC, 93/68/EC and 2006/95/EC.

A detailed EMC Report is available on request.

<b>EMC Immunity</b>	EN 61000-6-1, EN 61000-6-2	Generic standards		
Electrostatic discharge	EN 61000-4-2	Contact discharge	8kV	Criterion A*)
		Air discharge	15kV	Criterion A *)
Electromagnetic RF field	EN 61000-4-3	80MHz-2.7GHz	10V/m	Criterion A
Fast transients (Burst)	EN 61000-4-4	Out- and input lines	2kV	Criterion A
		Signal lines **)	2kV	Criterion A
Surge voltage	EN 61000-4-5	Output + → -	500V	Criterion A
		Input + → -	500V	Criterion A
		+ / - → housing	500V	Criterion A
Conducted disturbance	EN 61000-4-6	0,15-80MHz	10V	Criterion A

\*) DIN-Rail earthed

\*\*\*) Tested with coupling clamp

<b>EMC Emission</b>	EN 61000-6-3, EN 61000-6-4	Generic standards		
Conducted emission	EN 55022	Input lines	Class B *)	
	EN 55022	Output lines	Class B *)	
Radiated emission	EN 55011, EN 55022	Class B		

This device complies with FCC Part 15 rules.

Operation is subjected to the following two conditions: (1) this device may not cause harmful interference, and (2) this device must accept any interference received, including interference that may cause undesired operation.

\*) Informative measurement with voltage probe

#### Switching frequencies

The DC-UPS has three converters with three different switching frequencies included.

Switching frequency of boost converter	100kHz	Constant frequency
Switching frequency of electronic output current limitation	78kHz	Constant frequency
Switching frequency of battery charger	19.5kHz	Constant frequency

### 19. ENVIRONMENT

Operational temperature	-25°C to +50°C	Full power, for the DC-UPS control unit. Keep battery in a cooler environment!
Storage temperature	-40 to +85°C	Storage and transportation, except battery
Humidity	5 to 95% r.H.	IEC 60068-2-30 Do not energize while condensation is present
Vibration sinusoidal	2-17.8Hz: ±1.6mm; 17.8-500Hz: 2g	IEC 60068-2-6
Shock	30g 6ms, 20g 11ms	IEC 60068-2-27
Altitude	0 to 6000m	Approvals apply only up to 2000m
Over-voltage category	III	EN 50178
	II	EN 50178 above 2000m altitude
Degree of pollution	2	EN 50178, not conductive

Fig. 19-1 Output current vs. ambient temperature

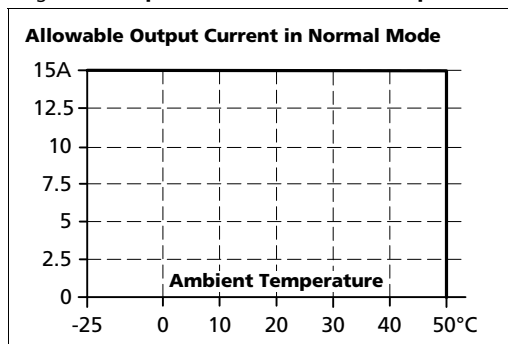
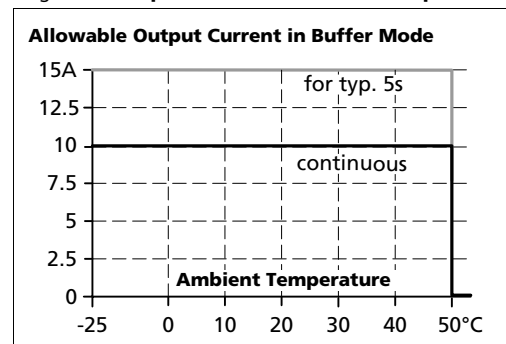


Fig. 19-2 Output current vs. ambient temperature



The ambient temperature is defined 2cm below the unit.

### 20. PROTECTION FEATURES

Output protection	Electronically protected against overload, no-load and short-circuits	
Output over-voltage protection in buffer mode	typ. 32Vdc max. 35Vdc	In case of an internal defect, a redundant circuitry limits the maximum output voltage. The output automatically shuts-down and makes restart attempts.
Degree of protection	IP20	EN/IEC 60529
Penetration protection	> 3.5mm	E.g. screws, small parts
Reverse battery polarity protection	yes	Max. -35Vdc;
Wrong battery voltage protection	yes	Max. +35Vdc (e.g. 24V battery instead of 12V battery)
Battery deep discharge protection	yes	The limit is battery current dependent
Over temperature protection	yes	Output shut-down with automatic restart
Input over-voltage protection	yes	Max. 35Vdc, no harm or defect of the unit
Internal input fuse	25A, blade type	No user accessible part, no service part

### 21. SAFETY

Output voltage	SELV PELV Max. allowed voltage between any input, output or signal pin and ground: 60Vdc or 42.4Vac	IEC/EN 60950-1 EN 60204-1, EN 50178, IEC 60364-4-41
Class of protection	III	PE (Protective Earth) connection is not required
Isolation resistance	> 5MΩ	Power port to housing, 500Vdc
Dielectric strength	500Vac	Power port to signal port
	500Vac	Power port / signal port to housing
Touch current (leakage current)	The leakage current which is produced by the DC-UPS itself depends on the input voltage ripple and need to be investigated in the final application. For a smooth DC input voltage, the produced leakage current is less than 100µA.	

### 22. APPROVALS

UL 508		LISTED E198865 listed for use in U.S.A. (UL 508) and Canada (C22.2 No. 14-95) Industrial Control Equipment
UL 60950-1		RECOGNIZED E137006 recognized for the use in U.S.A. (UL 60950-1) and Canada (C22.2 No. 60950) Information Technology Equipment, Level 5
IEC 60950-1		CB Scheme, Information Technology Equipment

### 23. FULFILLED STANDARDS

EN/IEC 60204-1	Safety of Electrical Equipment of Machines
EN/IEC 61131-2	Programmable Controllers
EN 50178, IEC 62103	Electronic Equipment in Power Installations

### 24. USED SUBSTANCES

The unit does not release any silicone and is suitable for the use in paint shops.

Electrolytic capacitors included in this unit do not use electrolytes such as Quaternary Ammonium Salt Systems.

Plastic housings and other molded plastic materials are free of halogens, wires and cables are not PVC insulated.

The materials used in our production process do not include the following toxic chemicals:

Polychlorinated Biphenyl (PCB), Pentachlorophenol (PCP), Polychlorinated naphthalene (PCN), Polybrominated Biphenyl (PBB), Polybrominated Biphenyl Oxide (PBO), Polybrominated Diphenyl Ether (PBDE), Polychlorinated Diphenyl Ether (PCDE), Polybrominated Diphenyl Oxide (PBDO), Cadmium, Asbestos, Mercury, Silica

### 25. PHYSICAL DIMENSIONS AND WEIGHT

Width	49mm / 1.93"	
Height	124mm / 4.88"	Plus height of signal connector plug
Depth	117mm / 4.61"	Plus depth of DIN-rail
Weight	545g / 1.2lb	
DIN-Rail	Use 35mm DIN-rails according to EN 60715 or EN 50022 with a height of 7.5 or 15mm. The DIN-rail height must be added to the depth (117mm) to calculate the total required installation depth.	

Electronic files with mechanical data can be downloaded at [www.pulspower.com](http://www.pulspower.com)

Fig. 25-1 Side view

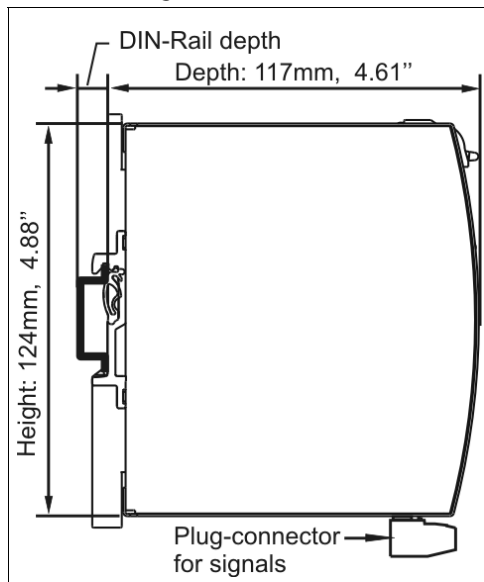
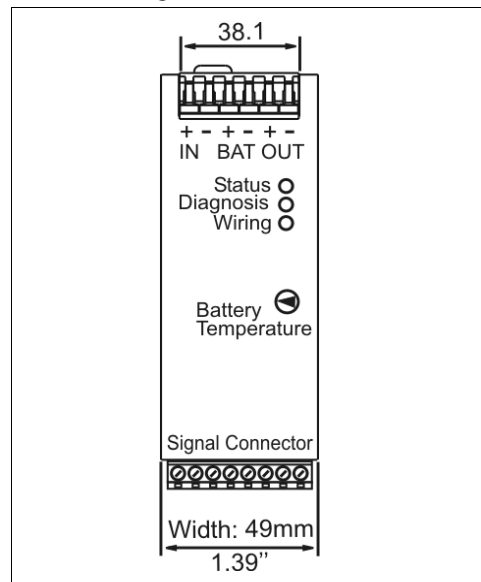


Fig. 25-2 Front view





## 26. INSTALLATION NOTES

### Mounting:

The power terminal shall be located on top of the unit. An appropriate electrical and fire end-product enclosure should be considered in the end use application.

**Cooling:** Convection cooled, no forced air cooling required. Do not obstruct air flow!

**Installation clearances:** 40mm on top, 20mm on the bottom, 5mm on the left and right side are recommended when loaded permanently with more than 5A.

Do not place heat sources next to the UB10.242 since it can influence the function of the internal temperature sensor. Keep a minimum of 15mm to the adjacent device.

### Risk of electrical shock, fire, personal injury or death!

Turn power off and disconnect battery fuse before working on the DC-UPS. Protect against inadvertent re-powering. Make sure the wiring is correct by following all local and national codes. Do not open, modify or repair the unit.

Use caution to prevent any foreign objects from entering into the housing.

Do not use in wet locations or in areas where moisture or condensation can be expected.

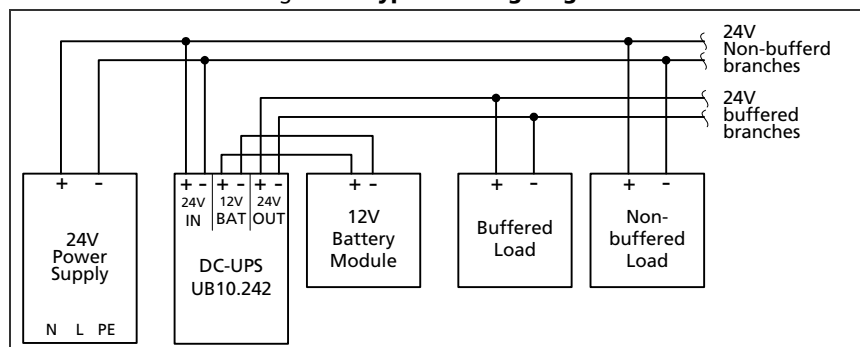
### Service parts:

The unit does not contain any service parts. The tripping of an internal fuse is caused by an internal fault. If damage or malfunctioning should occur during operation, immediately turn power off and send unit to the factory for inspection!

### Wiring and installation instructions:

- (1) Connect the power supply to the input terminals of the DC-UPS.
- (2) Connect the battery to the battery terminals of the DC-UPS. Do not install the battery in airtight housings or cabinets. The battery should be installed according to EN50272-2, which includes sufficient ventilation. Batteries store energy and need to be protected against energy hazards. Use a 30A battery fuse typ ATO® 257 030 (Littelfuse) or similar in the battery path. The battery fuse protects the wires between the battery and the DC-UPS. It also allows the disconnection of the battery from the DC-UPS which is recommended when working on the battery or DC-UPS. Disconnect battery fuse before connecting the battery.  
Please note: Too small or too long wires between the DC-UPS and the battery can shorten the buffer time or can result in a malfunction of the DC-UPS. Do not use wires smaller than 2.5mm<sup>2</sup> (or 12AWG) and not longer than 2x1.5m (cord length 1.5m). Avoid voltage drops on this connection.
- (3) Connect the buffered load to the output terminals of the DC-UPS. The output is decoupled from the input allowing load circuits to be easily split into buffered and non buffered sections. Noncritical loads can be connected directly to the power supply and will not be buffered. The energy of the battery can then be used in the circuits which requires buffering.
- (4) Install the fuse when the wiring is finished.

Fig. 26-1 Typical wiring diagram



Oct. 2009 / Rev. 1.0 DS-UB10.242-EN

All parameters are specified at an input voltage of 24V, 10A output load, 25°C ambient and after a 5 minutes run-in time unless otherwise noted. It is assumed that the input power source can deliver a sufficient output current.

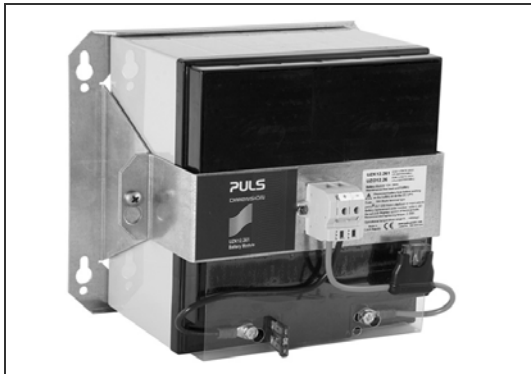
## 27. ACCESSORIES

### Battery Modules

One pre-assembled battery module with a single 12V battery is available. As an option, the mounting bracket is also available without battery. This option offers more flexibility in selecting an appropriate battery or can save shipping and logistic costs. See individual datasheet for detailed information.

<b>UZK12.261</b>		
Battery type	High current version 12V, 26Ah	VRLA lead-acid maintenance free battery
Service life	10 to 12 years	According to EUROBAT guideline
Dimensions	214x179x158mm	Width x height x depth
Weight	9.9kg	
DIN-Rail mountable	no	
Order number	UZK12.261	Battery module
	UZO12.26	Mounting bracket without battery
	UZB12.261	Replacement battery only

Fig. 27-1 **UZK12.261**



### ZM1.WALL Wall / Panel mounting bracket

This bracket is used to mount the DC-UPS units onto a flat surface without utilizing a DIN-Rail. The two aluminum brackets and the black plastic slider of the DC-UPS have to be removed so that the two surface brackets can be mounted.

Fig. 27-2 **ZM1.WALL Wall / Panel Mounting Bracket**

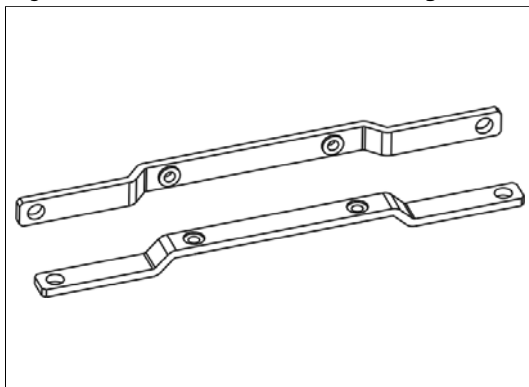
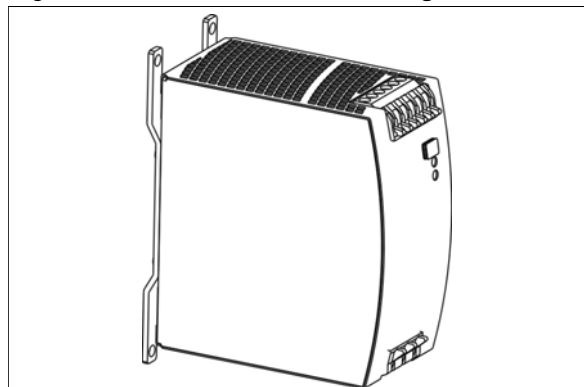


Fig. 27-3 **Assembled Wall / Panel Mounting Bracket**



Oct. 2009 / Rev. 1.0 DS-UB10.242-EN

All parameters are specified at an input voltage of 24V, 10A output load, 25°C ambient and after a 5 minutes run-in time unless otherwise noted. It is assumed that the input power source can deliver a sufficient output current.

## 28. APPLICATION NOTES

### 28.1. BATTERY REPLACEMENT INTERVALS

Batteries have a limited life time. They degrade slowly beginning from the production and need to be replaced periodically. The design life figures can be found in the individual datasheets of the batteries and usually is specified according to the Eurobat guideline or according to the manufacturer's specifications.

The design life is the estimated life based on laboratory condition, and is quoted at 20°C using the manufacturer's recommended float voltage condition. According to the Eurobat guideline, design lives have been structured into the following different groups:

- 3 - 5 years: This group of batteries is very popular in standby applications and in small emergency equipment. This represents a 4 years design life with a production tolerance of  $\pm 1$  year.
- 6 - 9 years: This group of batteries is usually used when an improved life is required. This represents a 7.5 years design life with a production tolerance of  $\pm 1.5$  years.
- 10 - 12 years: This group of batteries is used when in applications where longest life and highest safety level are required. This represents a 11 years design life with a production tolerance of  $\pm 1$  year.

A battery failure within the specified design life of the battery usually results in a complete loss of the battery function (broken cell, defect connection, ...) and will be detected and reported by the periodical battery tests which are included in the UB10.242 DC-UPS control unit.

If the operational parameters differ from those which are specified for the design life, an earlier change of the battery might be necessary. The "real life" is called service life and is defined as the point at which the cell's actual capacity has reached 80% of its nominal capacity. At the end of the service life the capacity degrades much faster, so that a further use of the battery is not recommended.

#### Temperature effect:

The temperature has the most impact in the service life. The hotter the temperature, the earlier the wear-out phase of the battery begins. The wear-out results in a degradation of battery capacity. See Fig. 28-1 for details.

#### Effect of discharging cycles

The number as well as the depth of discharging cycles is limited. A replacement of the battery might be necessary earlier than the calculated service life if the battery exceeds the numbers and values of Fig. 28-2.

#### Other effects which shortens the service life

- Overcharging and deep discharging shortens the service life and should be avoided. Thanks to the single battery concept of the UB10.242, the end-of-charge-voltage can be set very precisely to the required value and thereby avoiding unnecessary aging effects.
- Charge retention is important to get the longest battery life. Stored batteries which are not fully charged age faster than charged batteries. Batteries which are not in use should be recharged at least once a year.
- Excessive float charge ripple across the battery has an effect of reducing life and performance. The UB10.242 does not produce such a ripple voltage. This effect can be ignored when the battery is charged with the UB10.242.

#### Guidelines for a long battery service life:

- Place the battery in a cool location: E.g. near the bottom of the control cabinet.
- Do not place the battery near heat generating devices.
- Do not store discharged batteries.
- Do not discharge the battery more than necessary. Set buffer time limiter to the required buffer time.
- When choosing the battery capacity, always try to get the next higher capacity than required. The depth of discharge reduces the service life of the battery and limits the number of cycles. See Fig. 28-2.

Oct. 2009 / Rev. 1.0 DS-UB10.242-EN

All parameters are specified at an input voltage of 24V, 10A output load, 25°C ambient and after a 5 minutes run-in time unless otherwise noted. It is assumed that the input power source can deliver a sufficient output current.

### Example for calculating the service life and the required replacement cycle:

#### Parameters for the example:

- A 26Ah battery with a design life of 10-12 years is used
- The average ambient temperature is 30°C
- One buffer event consumes approx. 25% of the achievable buffer time.
- One buffer event every two days

#### Calculation:

Ambient temperature influence:

According to Fig. 28-1 curve C, a 5 years service life can be expected for an ambient temperature of 30°C.

Number of discharging cycles: 5 years \* 182 cycles = 910 cycles in 5 years.

According to Fig. 28-2, curve C has to be used (only 25% of battery capacity is required). 910 cycles have only a negligible influence in a battery degradation and can be ignored.

#### Result:

The battery shall be replaced after 5 years.

Please note that the battery degrading begins from the production date (check date code on the battery) which may shorten the replacement intervals.

Fig. 28-1 Service life versus ambient temperatures, typ \*)

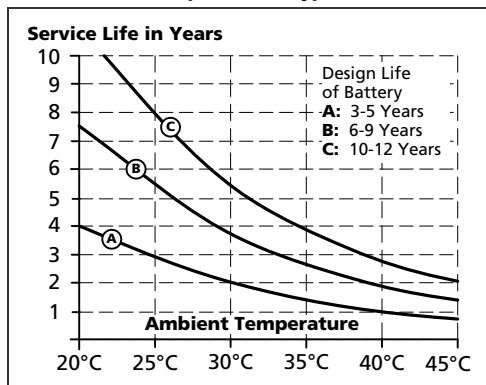
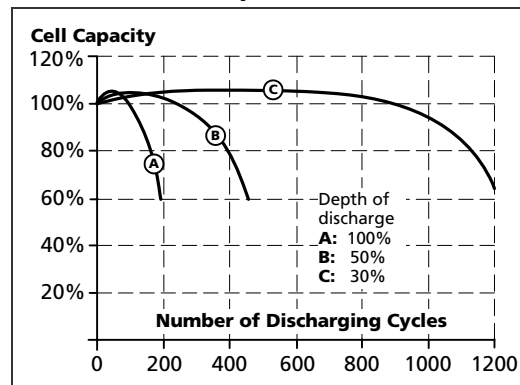


Fig. 28-2 Cell capacity degradation vs. discharging cycles \*)



\*) datasheet figures from battery manufacturer

## 28.2. PARALLEL AND SERIAL USE

Do not use the DC-UPS in parallel to increase the output power. However, two units of the DC-UPS can be paralleled for 1+1 redundancy to gain higher system reliability.

Do not use batteries in parallel, since the battery quality test might create an error message.

Do not connect two or more units in series for higher output voltages.

Do not connect two or more units in a row to get longer hold-up times.

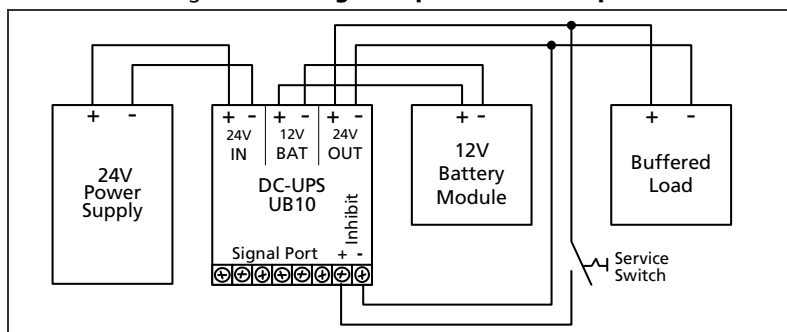
### 28.3. USING THE INHIBIT INPUT

The inhibit input disables buffering. In normal mode, a static signal is required. In buffer mode, a pulse with a minimum length of 250ms is required to stop buffering. The inhibit is stored and can be reset by cycling the input voltage.

As long as the inhibit signal is active in normal mode, an internal relay contact will be opened and the battery will not longer be charged.

For service purposes, the inhibit input can also be used to connect a service switch. Therefore, the inhibit signal can be supplied from the output of the DC-UPS.

Fig. 28-3 Wiring example for inhibit input



### 28.4. TROUBLESHOOTING

The LEDs on the front of the unit and relay contacts indicate about the actual or elapsed status of the DC-UPS. Please see also chapter 15.

The following guidelines provide instructions for fixing the most common failures and problems. Always start with the most likely and easiest-to-check condition. Some of the suggestions may require special safety precautions. See notes in section 26 first.

<b>“Check wiring” LED is on</b>	<p>Check correct wiring between the battery and the DC-UPS</p> <p>Check battery fuse. Is the battery fuse inserted or blown?</p> <p>Check battery voltage (must be typically between 7.4V and 15.1V)</p> <p>Check input voltage (must be typically between 22.8V and 30V)</p> <p>Check battery polarity</p>
<b>DC-UPS did not buffer</b>	<p>Inhibit input was set</p> <p>Battery did not have enough time to be charged and is still below the deep discharge protection limit.</p>
<b>DC-UPS stopped buffering</b>	<p>Deep discharge protection stopped buffering → use a larger battery, or allow sufficient time for charging the battery</p> <p>Output was overloaded or short circuit → reduce load</p>
<b>Output has shut down</b>	<p>Cycle the input power to reset the DC-UPS</p> <p>Let DC-UPS cool down, over temperature protection might have triggered.</p>
<b>DC-UPS constantly switches between normal mode and buffer mode</b>	<p>The supplying source on the input is too small and can not deliver sufficient current</p> <p>→ Use a larger power supply or reduce the output load</p>