

Thomas & Betts

***The Next Great Innovation in Conduit Bodies
Allows a 4-to-1 SKU Reduction!***

T&B® Fittings

BlueKote®
Universal
Conduit Elbow



The BlueKote® Universal Conduit Elbow
replaces LL, LR, LB and C conduit bodies!





T&B Fittings



BlueKote® Universal Conduit Elbow

Pulling Cable Against Walls or Ceilings Is Now Easy!

The Universal Elbow will greatly reduce the amount of parts you need to stock. It replaces LL, LR, LB and C conduit bodies. With the LU, so you'll no longer have to worry about whether or not you have the right conduit body for the job. As the name implies, this new solution truly goes anywhere a conduit elbow is needed. The T&B® Fittings BlueKote® Universal Conduit Elbow enables you to run fiber optic cable in a ¾" system — and maintain cable bend radius — instead of in a 2" system. Our new Universal Elbow represents HUGE savings for you in conduit, bodies and labor!

- 4-to-1 SKU reduction — replaces LL, LR, LB and C conduit bodies
- Radius is the same as the bent conduit. Pull wire through the body
- Angled cover port — easier wire pulling and uses standard covers
- BlueKote four-layer protection provides internal and external corrosion resistance
- UL Listed as an enclosure — splices allowed inside the LU
- Rated for 40% wire fill!

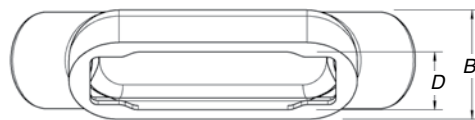
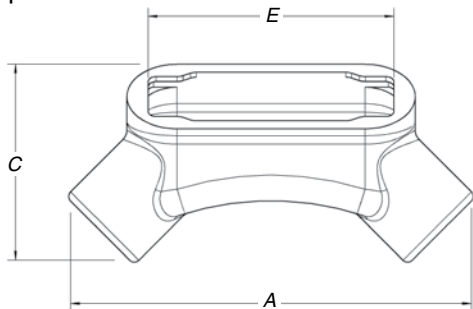


Form 7 Steel Cover



Form 7 Iron Cover

Material: LU17–LU67: Class 30 gray; 170S–670S: Stamped steel with Neoprene gasket 170F–670F: Gray iron with Neoprene gasket
Finish: LU17–LU67: BlueKote
Listings/Compliances: UL: 514A, 514B; CSA: C22.2 No. 18; Fed. Spec.: W-C 586D



BlueKote® Universal Conduit Elbow

Cat. Number	Hub Size	Dimensions					Cu. In.	UPC Number
		A	B	C	D	E		
LU17	½"	5.54"	1.45"	2.72"	0.95"	3.20"	4.80"	786209-91238
LU27	¾"	6.22"	1.70"	3.07"	1.15"	3.80"	7.60"	786209-91240
LU37	1"	7.34"	1.97"	3.52"	1.35"	4.55"	13.40"	786209-91241
LU47	1¼"	8.40"	2.47"	4.21"	1.80"	5.00"	23.00"	786209-91242
LU57	1½"	8.95"	2.72"	4.44"	2.05"	5.45"	28.30"	786209-91243
LU67	2"	10.61"	3.43"	5.43"	2.45"	6.40"	56.00"	786209-91244

Form 7 Cover

Cat. Number	Hub Size	UPC Number	Cat. Number	Hub Size	UPC Number
Stamped steel cover with gasket			Gray iron cover with gasket		
170S	½"	786210-98581	170F	½"	786210-92379
270S	¾"	786210-98585	270F	¾"	786210-98381
370S	1"	786210-98590	370F	1"	786210-92412
470S	1¼"	786210-98021	470F	1¼"	786210-98020
570S	1½"	786210-98591	570F	1½"	786210-92413
670S	2"	786210-98592	670F	2"	786210-92420

The Universal Conduit Elbow is also currently available as an Ocal® PVC-Coated Conduit Elbow. Look for it soon in Stainless Steel and Aluminum!



www.tnb.com

Thomas & Betts

Please ask your Thomas & Betts sales representative for a complete catalog of quality Thomas & Betts electrical products or visit us at www.tnb.com. For customer service, call 1-800-816-7809. For technical questions, call 1-888-862-3289.

Thomas & Betts Corporation
 Electrical Division
 8155 T&B Boulevard
 Memphis, TN 38125
 901-252-5000

Thomas & Betts Ltd.
 700 Thomas Avenue
 Iberville, Québec J2X 2M9
 450-347-5318