

1E

GUE, GUB Junction Boxes

Cl. I, Div. 1 & 2, Groups B, C, D Explosionproof
 Cl. II, Div. 1, Groups E, F, G Dust-Ignitionproof
 Cl. II, Div. 2, Groups F, G Raintight
 Cl. III Wet Locations
 NEMA 4*, 7BCD, 9EFG Watertight
 Ex d IIC T6, IP66†
 Ex d IIC, IP66, ATEX certified

Applications:

GUE, GUB series junction boxes are used in threaded rigid conduit systems in hazardous areas:

- To function as a splice box, pull box or equipment and device enclosure
- To house wiring
- Indoors and outdoors

Features:

- Threaded construction throughout permits use in hazardous areas
- Bodies have thick walls so they can be factory or field drilled and tapped to meet NEC/CEC requirements for Class I hazardous areas
- Covers are provided with a neoprene "O" ring gasket to meet NEMA/EEMAC 4 requirements for a watertight seal§
- Internal grounding lug provides a means to ground enclosed equipment
- Boxes are machined for field installed mounting plates
- GUB boxes are ATEX certified when ordered with Suffix SA ATEX (not available for GU and GUE)

Certifications and Complies:

- NEC/CEC:
 - Class I, Division 1 & 2, Groups B, C, D
 - Class II, Division 1, Groups E, F, G
 - Class II, Division 2, Groups F, G
 - Class III
- UL Standard: 1203
- CSA Standard: C22.2 No. 30
- ATEX: Ex d IIC, IP66† ATEX Certificate: PTB 01 ATEX 1019 U
- Ex d IIC, IP66, ATEX certified

Standard Materials:

- Bodies – *Feraloy*® iron alloy
- Covers – copper-free aluminum

Standard Finishes:

- Feraloy* iron alloy – GU, GUE, GUB01, GUB02 – electrogalvanized and aluminum acrylic paint. All other boxes – zinc chromate primer and aluminum acrylic paint
- Copper-free aluminum – natural

Options:

Description	Suffix
• Copper-free aluminum bodies and covers (GUB01, GUB02, GUB03, GUB06 only).....	SA
• ATEX certified (GUB01 SA, GUB02 SA, GUB03 SA, GUB06 SA only).....	SA ATEX
• Factory installed mounting plate for relays, terminal blocks, electrical devices, etc	MP
• Factory installed terminal blocks. Information on request	

Junction Boxes Without Hubs‡



GU
 4¹⁵/₁₆" x 4¹⁵/₁₆" x 4¹/₈"
 3³/₈" cover opening

GUE
 5⁵/₁₆" x 5⁵/₁₆" x 5³/₈"
 3³/₈" cover opening



GUB01
 6¹/₂" x 7" x 5³/₈"
 5³/₈" cover opening

GUB02
 8" x 10" x 5⁷/₈"
 7" cover opening

GUB06
 8¹/₂" x 10" x 6⁷/₈"
 7" cover opening



GUB03
 11" x 12" x 8¹³/₁₆"
 9⁷/₈" cover opening

GUB01110*
 14" x 18" x 13¹/₂"
 12¹/₄" cover opening

GUB15151
 19" x 21" x 16³/₈"
 16³/₄" cover opening



GUB04
 11" x 12" x 8¹/₁₆"
 9³/₈" cover opening

GUB08
 8¹/₂" x 10" x 6¹³/₁₆"
 7" cover opening

Ordering Information:

Junction boxes listed can be furnished with drilled and tapped conduit openings, subject to the limitations of maximum opening, number and spacing shown in Tables 1, 2 and 4.

To Order:

- Step 1**
 Select the box required from photos at left and dimensional drawings on next page.
- Step 2**
 Select standard conduit arrangement from Table 1.
- Step 3**
 Determine maximum size conduit opening required from Table 2 (consider conduit opening spacing from Table 4).
- Step 4**
 Select appropriate symbol for required drilled and tapped holes from Table 3.

Example:

Step 1 – box required GUB06
 Step 2 – arrangement 108
 Step 3 – openings – 1¹/₂" at "a" and "c"; 1" at "b" and "d".
 Step 4 – symbols are substituted and written in **clockwise order starting with location "a"**. For this example: FCFC Complete Cat. No. is made up of three parts: Part 1 – box number; Part 2 – arrangement number; Part 3 – symbols for conduit openings. For this example: GUB06-108-FCFC. When no opening is required at a particular location, use symbol "0" (zero).

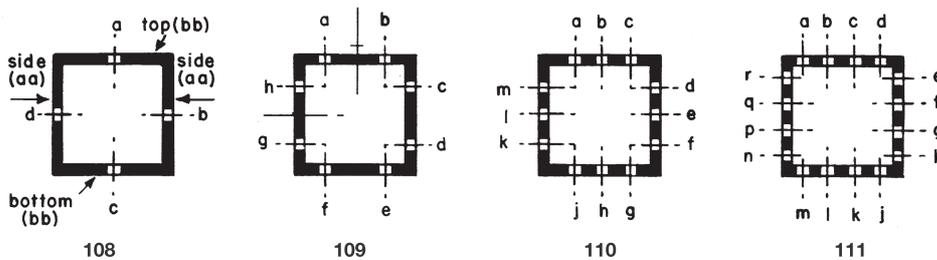
If none of the standard arrangements meet requirements, send a sketch showing junction box number with size and location of each opening desired.

For conduit liner ordering information, see page 860.
 * NEMA 4 not available on GUB01110 and GUB15151.
 † Order suffix SA ATEX. GUB01110 and GUB15151 are rated IP54.
 ‡ Dimensions provided are external.
 §GUB01110 listed for Class I, Div. 1, Groups C & D only in Canada (CSA).

Ordering Information

Table 1

Arrangements of Drilled and Tapped Conduit Openings – For other arrangements, send sketch and complete description



Conduit opening arrangements shown in the illustration should meet the majority of requirements. These GUB junction boxes will be supplied with drilled and tapped openings up to the maximum size and number shown in Table 2.

Table 2

Maximum Size & No. of Drilled & Tapped Holes

Cat. #	Top & Bottom (bb)†				Each Side (aa)‡				Back‡			
	1	2	3	4	1	2	3	4	1	2	3	4
Group D*												
GU	1	1			1	1			3	1	3/4	3/4
GUE	2	1			2	1			2	1	3/4	3/4
GUB01	2	1 1/2	3/4		2	1 1/2	1	1/2	1	3/4	3/4	3/4
GUB02	2	2	1	3/4	2	2	1 1/2	1	3/4	3/4	3/4	3/4
GUB06	2	2	1	3/4	2	2	1 1/2	1	2	2	2	2
GUB08	2	2	1	3/4	2	2	1 1/2	1	2	2	2	2
GUB03	2	2	1 1/2	1	2	2	2	1 1/4	4	4	3 1/2	3
GUB04	2	2	1 1/2	1	2	2	2	1 1/4	4	4	3 1/2	3
GUB01110	2	2	2	1 1/2	2	2	2	2	6	6	4	3 1/2
GUB15151	5	4	3 1/2	2 1/2	5	4	4	3	6	6	6	6
Group C▲												
GU	1	1			1	1			3	1	3/4	3/4
GUE	2	1			2	1			2	1	3/4	3/4
GUB01	2	1 1/4	1/2		2	1 1/4	1/2		3/4	3/4	3/4	3/4
GUB02	2	1 1/2	3/4		2	2	1 1/4	1/2	3/4	3/4	3/4	3/4
GUB06	2	1 1/2	3/4		2	2	1 1/4	1/2	2	2	2	1 1/2
GUB08	2	1 1/2	3/4		2	2	1 1/4	1/2	2	2	2	1 1/2
GUB03	2	2	1 1/4	3/4	2	2	1 1/2	1	4	3 1/2	2 1/2	2 1/2
GUB04	2	2	1 1/4	3/4	2	2	1 1/2	1	4	3 1/2	2 1/2	2 1/2
GUB01110	2	2	2	1 1/4	2	2	2	2	6	6	4	3 1/2
GUB15151	5	4	3	2	5	4	3 1/2	2 1/2	6	6	6	5
Group B■												
GU	1	1			1	1			3	1	3/4	3/4
GUE	2	1			2	1			2	1	3/4	3/4
GUB01	2	1 1/4	1/2		2	1 1/4	1/2		3/4	3/4	3/4	3/4
GUB02	2	1 1/2	3/4		2	2	1 1/4	1/2	3/4	3/4	3/4	3/4
GUB06	2	1 1/2	3/4		2	2	1 1/4	1/2	2	2	2	1 1/2
GUB08	2	1 1/2	3/4		2	2	1 1/4	1/2	2	2	2	1 1/2
GUB03	2	2	1 1/4	3/4	2	2	1 1/2	1	4	3 1/2	2 1/2	2 1/2
GUB04	2	2	1 1/4	3/4	2	2	1 1/2	1	4	3 1/2	2 1/2	2 1/2
GUB01110	2	2	2	1 1/4	2	2	2	2	4	4	4	4
GUB15151	4	4	3 1/2	2 1/2	4	4	3 1/2	2 1/2	4	4	4	4

Table 3

Drilled & Tapped Holes

Size	Symbol
1/2	A
3/4	B
1	C
1 1/4	E
1 1/2	F
2	G
2 1/2	H
3	J
3 1/2	K
4	L
none	0

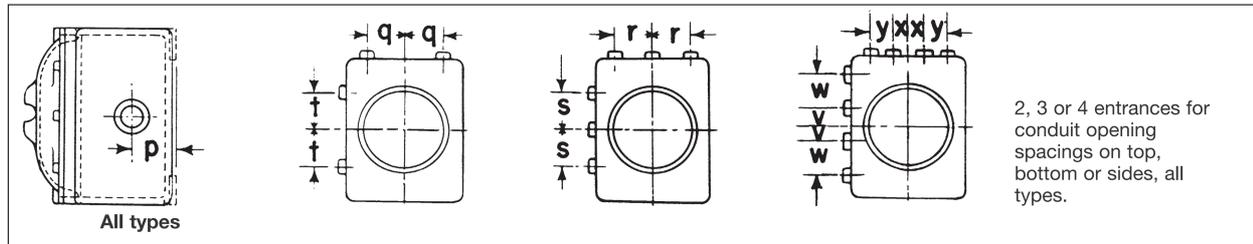
*Group D chart is based on use of staggered unions. If adjacent unions are desired, additional spacing may be necessary.
 †Sidewall and top and bottom sizes are based on all openings being in line.
 ‡Backwall sizes are based on: two per side – diagonal corners; four per side – one in each corner; three per side – triangular pattern with two on adjacent corners on long wall and third in center of opposite long wall.
 ▲ Conduit seals are required within 1 1/2" of all conduit entrances for Class I, Group C hazardous locations.
 ■ Conduit seals are required within 1 1/2" of all conduit entrances for Class I, Group B hazardous locations.
 For conduit liner ordering information, see page 860.



1E GUE, GUB Junction Boxes

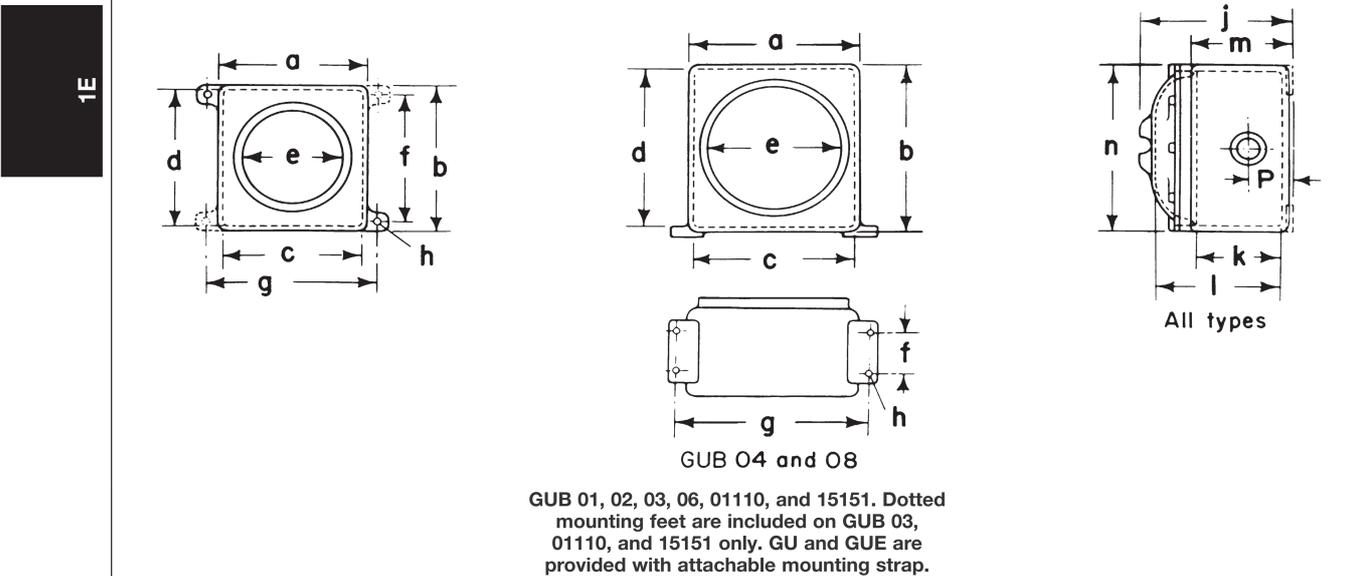
Dimensions

Table 4
Conduit Spacings



Type	p	q	r	s	t	v	w	x	y
GU	1 ³ / ₈	1	—	—	1	—	—	—	—
GUE	1 ⁷ / ₈	1 ¹ / ₈	—	—	1 ¹ / ₈	—	—	—	—
GUB01	2 ¹ / ₁₆	1 ⁵ / ₈	2 ¹ / ₈	2 ¹ / ₈	1 ³ / ₈	7 ⁷ / ₈	1 ³ / ₄	2 ⁵ / ₃₂	1 ⁹ / ₁₆
GUB02	2 ¹ / ₁₆	1 ²¹ / ₃₂	2 ¹ / ₁₆	2 ⁵ / ₁₆	1 ²¹ / ₃₂	1 ¹ / ₃₂	2 ¹ / ₁₆	7 ⁷ / ₈	1 ³ / ₄
GUB06	2 ¹ / ₁₆	1 ²¹ / ₃₂	2 ⁵ / ₁₆	2 ⁵ / ₁₆	1 ²¹ / ₃₂	1 ¹ / ₃₂	2 ¹ / ₁₆	7 ⁷ / ₈	1 ³ / ₄
GUB08	2 ¹ / ₁₆	1 ²¹ / ₃₂	2 ¹ / ₁₆	2 ¹ / ₁₆	1 ²¹ / ₃₂	1 ¹ / ₃₂	2 ¹ / ₁₆	7 ⁷ / ₈	1 ³ / ₄
GUB03	3 ³ / ₈	2 ¹ / ₂	3 ³ / ₁₆	3 ³ / ₁₆	3	1 ⁵ / ₃₂	2 ⁵ / ₁₆	1 ⁵ / ₃₂	2 ⁵ / ₁₆
GUB04	3 ³ / ₈	1 ²¹ / ₃₂	3 ³ / ₁₆	3 ³ / ₁₆	3	1 ⁵ / ₃₂	2 ⁵ / ₁₆	1 ⁵ / ₃₂	2 ⁵ / ₁₆
GUB01110	4 ³ / ₄	3	4	6	4	2	4	1 ²¹ / ₃₂	3 ³ / ₁₆
GUB15151	6	4	5 ¹ / ₄	5 ⁵ / ₈	4	2	4	2	4

Dimensions In Inches:



Type	a	b	c‡	d‡	e	f	g	h	j	k‡	l‡	m	n
GU	4 ¹⁵ / ₁₆	4 ¹⁵ / ₁₆	3 ¹³ / ₁₆	3 ¹³ / ₁₆	3 ³ / ₈	—	—	—	4 ⁷ / ₈	1 ¹ / ₁₆	3 ⁷ / ₁₆	2 ³ / ₈	4 ¹ / ₈
GUE	5 ⁵ / ₁₆	5 ⁵ / ₁₆	4 ³ / ₁₆	4 ³ / ₁₆	3 ³ / ₈	—	—	—	5 ³ / ₈	2 ¹ / ₄	3 ⁷ / ₁₆	3 ¹ / ₂	4 ¹ / ₈
GUB01	6 ¹ / ₂	7	6 ¹ / ₂	5 ⁵ / ₈	5 ⁵ / ₈	5 ³ / ₄	7 ¹ / ₂	1 ³ / ₃₂	5 ³ / ₄	3 ¹ / ₁₆	4 ¹ / ₂	4 ¹ / ₁₆	6 ¹ / ₄
GUB02	8	10	7 ⁷ / ₈	9 ⁹ / ₈	7	8 ³ / ₄	9	1 ³ / ₃₂	5 ⁷ / ₈	3	4 ³ / ₈	4 ¹ / ₁₆	7 ³ / ₄
GUB06	8 ¹ / ₂	10	7 ³ / ₈	8 ⁷ / ₈	7	8 ³ / ₄	9 ¹ / ₂	7 ¹ / ₁₆	7 ³ / ₈	4 ¹ / ₄	5 ¹³ / ₁₆	5 ¹ / ₄	7 ³ / ₄
GUB08	8 ¹ / ₂	10	7 ³ / ₈	8 ⁷ / ₈	7	2 ¹ / ₂	9 ⁵ / ₈	7 ¹ / ₁₆	7 ³ / ₈	4 ¹ / ₄	5 ³ / ₁₆	5 ¹ / ₄	7 ³ / ₄
GUB03	11	12	9 ³ / ₄	10 ³ / ₄	9 ³ / ₈	10 ³ / ₄	12 ¹ / ₈	7 ¹ / ₁₆	8 ¹³ / ₁₆	5	7 ³ / ₈	6 ³ / ₈	11
GUB04	11	12	9 ³ / ₄	10 ³ / ₄	9 ³ / ₈	3 ¹ / ₂	12 ¹ / ₈	7 ¹ / ₁₆	8 ¹¹ / ₁₆	5	7 ³ / ₈	6 ¹ / ₂	11
GUB01110	14 ¹ / ₁₆	18 ¹ / ₁₆	13	17	12 ¹ / ₄	16	16	1	13 ¹ / ₂	6 ¹³ / ₁₆	10 ³ / ₄	9 ³ / ₄	14
GUB15151	20 ⁷ / ₈	18 ⁷ / ₈	19 ¹ / ₈	17 ¹ / ₈	16 ³ / ₄	18	21	1	16 ⁷ / ₈	9	13 ⁷ / ₁₆	11 ³ / ₈	18

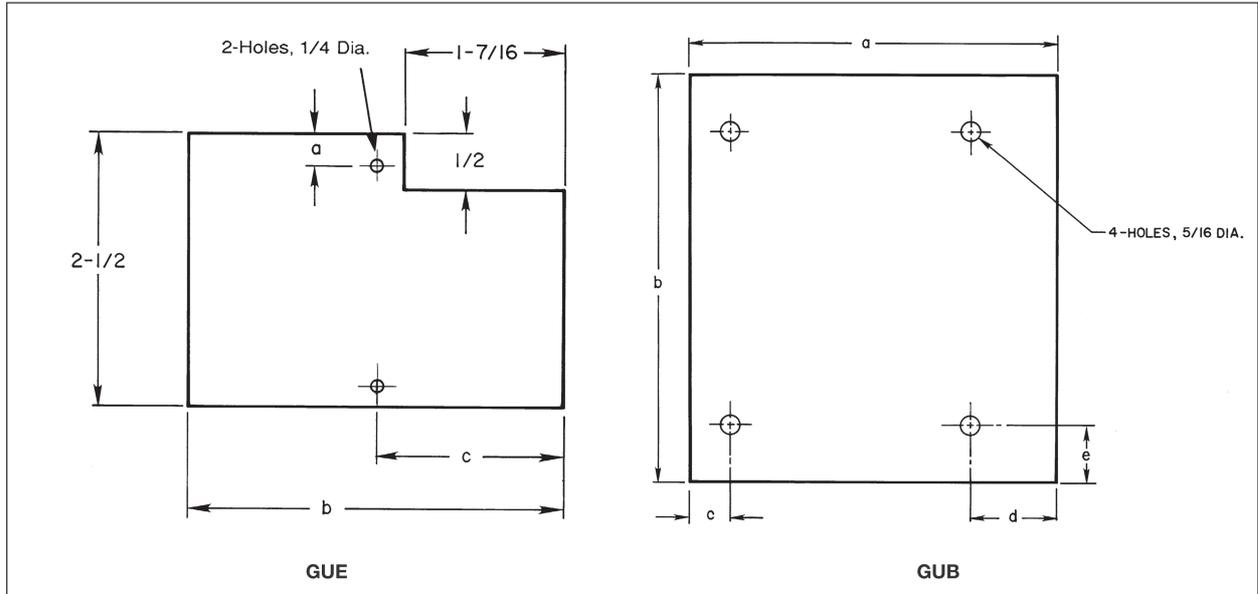
‡ Inside dimensions.

For conduit liner ordering information, see page 860

Crouse-Hinds
by **E.T.N.**

Mounting Plate Dimensions

Table 5
Mounting Plate Dimensions



Box Cat. #	Mounting Plate Kit Cat. #	a	b	c	d	e
GU	GU MPK1	9/32	3 3/8	1 43/64	—	—
GUE	GUE MP K1	9/32	3 3/8	1 43/64	—	—
GUB01	GUB MP01	4 3/8	5	3/8	1	1
GUB02	GUB MP02	5 5/16	6 1/4	5/8	1 5/16	7/8
GUB03	GUB MP03	8	9	15/16	1 5/16	1 1/2
GUB04	GUB MP03	8	9	15/16	1 5/16	1 1/2
GUB06	GUB MP02	5 5/16	6 1/4	5/8	1 5/16	7/8
GUB08	GUB MP02	5 5/16	6 1/4	5/8	1 5/16	7/8
GUB01110	GUB MP01110	8 3/4	12	7/16	1 7/16	1 3/4
GUB15151	GUB MP15151	14	14	1 5/8	1 5/8	1 5/8

For conduit liner ordering information, see page 860

