



ALFA15 - ALFA16



Features	Unit	ALFA1000BPB	ALFA1600BPB	ALFA1610BPB	ALFA1524BPTB	ALFA1548BPTB
Air flow rate (free blow)	m ³ /h	-	55(60)		55	
Flow rate with exit filter	m ³ /h	-	40(45)		40	
Power supply	V/Hz	-	230/50-60	115/50-60	24DC	48DC
Dimensions HxWxD	mm	150x150x28	150x150x77			
Power consumption	W	-	22(21)		9	13
Current consumption	A	-	0.14(0.12)	0.26(0.24)	0.37	0.27
Overcurrent protection	-	-	impedance			
Electric connection	-	-	faston 2.8x0.5 mm		2-pole terminal 1.5 mm ²	
Duty cycle	-	-	100%			
Operating temperature	°C	-	-10/+70			
Protection degree/class	-	IP54	IP54/Class I			
Noise level	dB(A)	-	43(49)		45	
Flow direction	-	-	outside-in			
Bearing	-	-	ball			
Filter mat (Eurovent)	-	EU3				
Service life (at 40°C)	hr	-	50,000			
Material	-	ABS UL94V-0 Color RAL7035				
Wall thickness	mm	1.2-2.4				
Gasket	-	self-adhesive				
Weight (with packaging)	kg	0.16(0.21)	0.78(0.85)		0.47(0.54)	
Package dimensions	mm	165x165x45	165x165x85			
Mounting	-	Fast Clip-on				
Conformity/Approvals	-	CE				

Versions

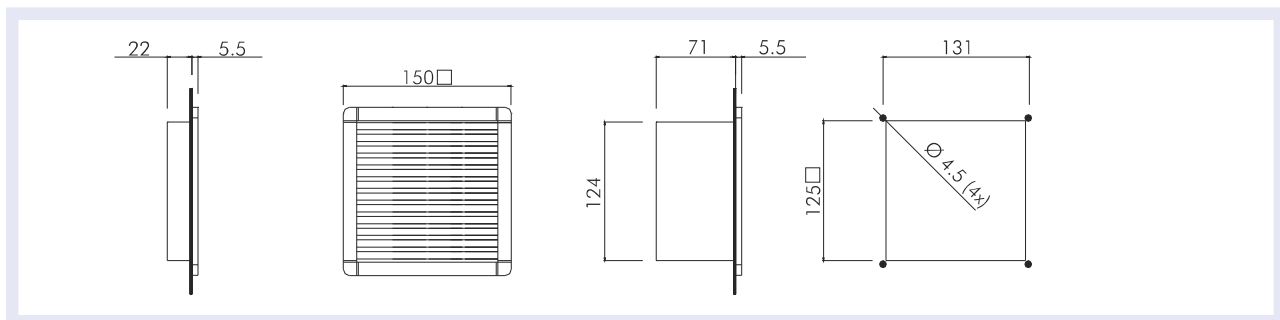
UL File n. E301228	ALFA1000BPUB	ALFA1600BPUB	ALFA1610BPUB	ALFA1524BPTUB	ALFA1548BPTUB
RAL7032 - Gray - Code ending	delete B				
RAL9005 - Black - Code ending	delete B, add N (available on request)				
EMC - Code ending	M				
Reverse flow - Code ending	-	-	-	PR	-
Connection with terminals	-	K	-	-	-

Accessories

Filter mat, standard type	ALFAFBP10				
Filter mat, high efficiency	ALFAFBP10X				
Thermostat 0-60°C, NO contact	-	-	-	THV2	-
Power cord 1m	-	-	SPINOTTOA2-10	-	-
Fan speed controller	-	-	-	FSC	-
Hood for IP55	CUFF10B				

TIP

If you are using the high filtering capacity filter mat remember that air flow rate will decrease.



ael-cat-en-13.01