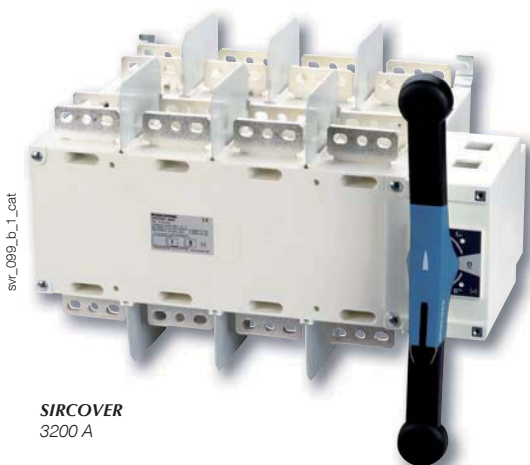




SIRCOVER

Manual changeover switches
from 125 to 3200 A

Changeover
switches



SIRCOVER
3200 A



SIRCOVER Bypass
125 A

The solution for

- > Manufacturing industry.
- > Power distribution.



Strong points

- > A complete range.
- > Easy connections.
- > Stable positions.
- > Improved on load switching.

Specific features SIRCOVER AC I-0-II

- > On load switching AC-33.

Conformity to standards

- > IEC 60947-3
- > IEC 60947-6-1



Approvals and certifications⁽¹⁾



⁽¹⁾ Product reference on request.

Enclosed solution

- > Available enclosed from 125 to 1600 A.

Function

SIRCOVER are manual multipolar changeover switches with positive break indication.

The family includes three ranges:

- **SIRCOVER AC** for dead time switching (I-0-II),
- **SIRCOVER** for overlapping contact switching (I-I+II-II), and
- **SIRCOVER Bypass**. This version is a combination of three interlocked switches enabling use with 3 + 6 poles or 4 + 8 poles.

They provide switching, source inversion and changeover under load for two low voltage power circuits, as well as their safety isolation by double breaking per pole.

Advantages

A complete product range

Three versions of the SIRCOVER are available to ensure compatibility with the maximum number of applications: SIRCOVER AC (I-0-II) with improved on load switching characteristics and isolation position, SIRCOVER with overlapping contacts (I-I+II-II) and a Bypass version.

Easy connections

A copper bar connection kit is available for 2000 to 3200 A ratings. It enables various types of connection: Flat or edgewise connection with top or bottom bridging.

Stable positions

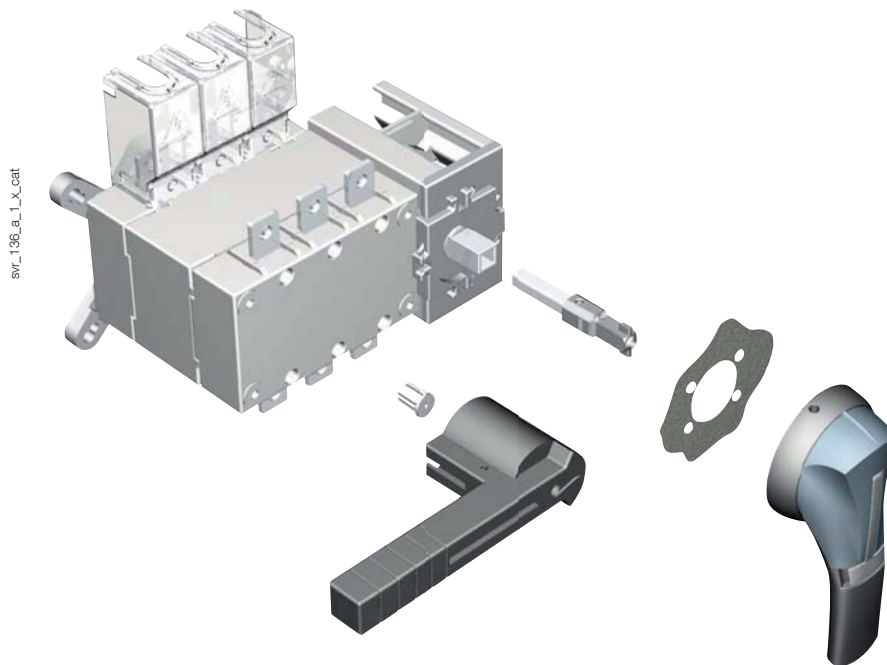
SIRCOVERs have three stable positions which are not affected by voltage drops or vibrations, thus protecting your load against network interference.

Improved on load switching

Thanks to its AC-23 and AC-33 characteristics, which are tested in accordance with standards IEC 60947-3 and IEC 60947-6-1, the SIRCOVER AC enables secure and reliable switching on all types of load, without the need for pre-breaking upstream.

What you need to know

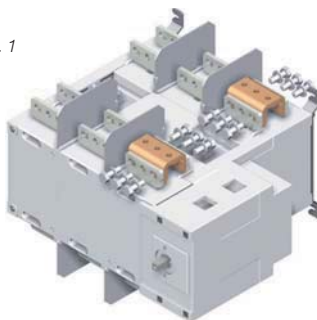
- **SIRCOVER AC (I-0-II)** switches have **3 stable positions**, and are available as 3 or 4 pole devices from 125 to 3200 A. They are available enclosed in a steel or polyester enclosure from 125 to 1600 A.
- **SIRCOVER** with overlapping contacts (I-I+II-II) are 3 or 4 pole devices available from 125 to 1800 A. They are available in a steel enclosure from 125 to 1600 A.
- With 3 stable positions (I-0-II), **SIRCOVER Bypass** are a combination of three interlocked switches enabling the use with 3+6 poles or 4+8 poles from 125 to 1600 A. All ratings are available in a steel enclosure.
- All SIRCOVER can be utilised with a **direct front** or **external operation** handle.



- **Copper bar connection kits** enable the connection between the two power terminals of the same pole (fig.1 & fig.2) and the bridging of the poles on the top or bottom side of the switch (fig.3), for ratings 2000, 2500 and 3200 A.

Fig. 1

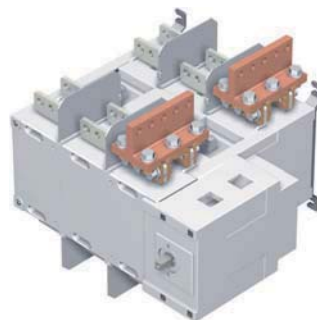
access_226_c_2_cat



Top or bottom **flat connection**

Fig.2

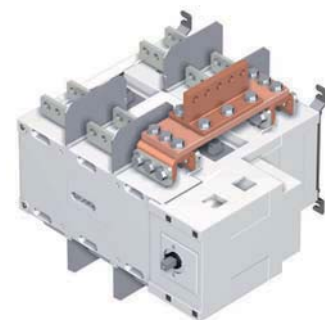
access_229_b_2_cat



Edgewise connection
Top or bottom

Fig. 3

access_231_a_1_cat



Top or bottom **bridging connection**

SIRCOVER

Manual changeover switches

from 125 to 3200 A

References

SIRCOVER AC I-0-II

Rating (A)	No. of poles	Switch body	Direct handle	External handle	Shaft for external handle	Bridging bars	Auxiliary contact	Terminal shrouds	Terminal screens							
125 A	3 P	41AC 3013	J2 type Blue 1122 1111 Red 1123 1111	S2 type Black IP55 1421 2113 Black IP65 1423 2113 ⁽¹⁾	200 mm 1400 1020 320 mm 1400 1032 ⁽¹⁾	4109 0019	1 st /2 nd contact NO/NC 4109 0021 ⁽²⁾	3 P 2694 3014 ⁽³⁾⁽⁴⁾ 4 P 2694 4014 ⁽³⁾⁽⁴⁾	3 P 1509 3012 4 P 1509 4012							
	4 P	41AC 4013														
160 A	3 P	41AC 3016														
	4 P	41AC 4016														
200 A	3 P	41AC 3020														
	4 P	41AC 4020														
250 A	3 P	41AC 3025				J3 type Blue 1132 1111 Red 1133 1111		S4 type Black IP65 1443 3113	200 mm 1401 1520 320 mm 1401 1532 ⁽¹⁾	4109 0025	3 P 2694 3021 ⁽³⁾⁽⁴⁾ 4 P 2694 4021 ⁽³⁾⁽⁴⁾	3 P 1509 3025 4 P 1509 4025				
	4 P	41AC 4025														
315 A	3 P	41AC 3031														
	4 P	41AC 4031														
400 A	3 P	41AC 3039								J3 type Blue 1132 1111 Red 1133 1111		S4 type Black IP65 1443 3113	200 mm 1401 1520 320 mm 1401 1532 ⁽¹⁾	4109 0039	3 P 2694 3051 ⁽³⁾⁽⁴⁾ 4 P 2694 4051 ⁽³⁾⁽⁴⁾	3 P 1509 3063 ⁽⁵⁾ 4 P 1509 4063 ⁽⁵⁾
	4 P	41AC 4039														
500 A	3 P	41AC 3050														
	4 P	41AC 4050														
630 A	3 P	41AC 3063														
	4 P	41AC 4063														
800 A	3 P	41AC 3080	J3 type Blue 1132 1111 Red 1133 1111	S4 type Black IP65 1443 3113	200 mm 1401 1520 320 mm 1401 1532 ⁽¹⁾		4109 0080							3 P 1509 3080 ⁽⁵⁾ 4 P 1509 4080 ⁽⁵⁾		
	4 P	41AC 4080														
1000 A	3 P	41AC 3100														
	4 P	41AC 4100														
1250 A	3 P	41AC 3120														
	4 P	41AC 4120														
1600 A	3 P	41AC 3160				S5 type Black 2799 7042	S5 type Black IP65 1453 8113	200 mm 2799 3015 320 mm 2799 3018 ⁽¹⁾ 450 mm 2799 3019	4109 0120		1 st contact NO/NC included					3 P 1509 3160 ⁽⁵⁾ 4 P 1509 4160 ⁽⁵⁾
	4 P	41AC 4160														
1800 A	3 P	41AC 3180														
	4 P	41AC 4180														
2000 A	3 P	41AC 3200														
	4 P	41AC 4200														
2500 A	3 P	41AC 3250							S5 type Black 2799 7042	S5 type Black IP65 1453 8113		200 mm 2799 3015 320 mm 2799 3018 ⁽¹⁾ 450 mm 2799 3019	4109 0160		1 st contact NO/NC included	3 P 1509 3160 ⁽⁵⁾ 4 P 1509 4160 ⁽⁵⁾
	4 P	41AC 4160														
3200 A	3 P	41AC 3320														
	4 P	41AC 4320														

(1) Standard.

(2) 2 pieces supplied, one for position I and one for position II.

(3) To fully shroud front, rear, top and bottom 4 references required.

(4) To shroud front switch top and bottom 2 references required.

(5) 2 pieces supplied, one for top side and another for bottom side.

(6) See "Copper bar connection kits" page 335.

SIRCOVER I - I+II - II

Rating (A)	No. of poles	Switch body	Direct handle	External handle	Shaft for external handle	Bridging bar	Auxiliary contact	Terminal shrouds	Terminal screens												
125 A	3 P	4190 3013 ⁽¹⁾	Black 4199 5012 ⁽²⁾	S2 type Black IP65 1423 2114 ⁽²⁾	200 mm 1400 1020 320 mm 1400 1032 ⁽²⁾	4109 0019	1 st /2 nd contact NO/NC 4109 0021 ⁽³⁾	3 P 2694 3014 ⁽⁴⁾⁽⁵⁾ 4 P 2694 4014 ⁽⁴⁾⁽⁵⁾	3 P 1509 3012 4 P 1509 4012												
	4 P	4190 4013 ⁽¹⁾																			
160 A	3 P	4190 3016 ⁽¹⁾																			
	4 P	4190 4016 ⁽¹⁾																			
200 A	3 P	4190 3019																			
	4 P	4190 4019																			
250 A	3 P	4190 3025 ⁽¹⁾				Black 4199 5012 ⁽²⁾		S2 type Black IP65 1423 2114 ⁽²⁾	200 mm 1400 1020 320 mm 1400 1032 ⁽²⁾	4109 0025	1 st /2 nd contact NO/NC 4109 0021 ⁽³⁾	3 P 2694 3021 ⁽⁴⁾⁽⁵⁾ 4 P 2694 4021 ⁽⁴⁾⁽⁵⁾	3 P 1509 3025 4 P 1509 4025								
	4 P	4190 4025 ⁽¹⁾																			
400 A	3 P	4190 3039 ⁽¹⁾								Black 4199 5012 ⁽²⁾		S2 type Black IP65 1423 2114 ⁽²⁾	200 mm 1400 1020 320 mm 1400 1032 ⁽²⁾	4109 0039	1 st /2 nd contact NO/NC 4109 0021 ⁽³⁾	3 P 2694 3021 ⁽⁴⁾⁽⁵⁾ 4 P 2694 4021 ⁽⁴⁾⁽⁵⁾	3 P 1509 3025 4 P 1509 4025				
	4 P	4190 4039 ⁽¹⁾																			
500 A	3 P	4190 3050 ⁽¹⁾												Black 4199 5012 ⁽²⁾		S2 type Black IP65 1423 2114 ⁽²⁾	200 mm 1400 1020 320 mm 1400 1032 ⁽²⁾	4109 0050	1 st /2 nd contact NO/NC 4109 0021 ⁽³⁾	3 P 2694 3051 ⁽⁴⁾⁽⁵⁾ 4 P 2694 4051 ⁽⁴⁾⁽⁵⁾	3 P 1509 3063 ⁽⁶⁾ 4 P 1509 4063 ⁽⁶⁾
	4 P	4190 4050 ⁽¹⁾																			
630 A	3 P	4190 3063 ⁽¹⁾	Black 4199 5012 ⁽²⁾	S2 type Black IP65 1423 2114 ⁽²⁾	200 mm 1400 1020 320 mm 1400 1032 ⁽²⁾	4109 0063	1 st /2 nd contact NO/NC 4109 0021 ⁽³⁾	3 P 2694 3051 ⁽⁴⁾⁽⁵⁾ 4 P 2694 4051 ⁽⁴⁾⁽⁵⁾	3 P 1509 3063 ⁽⁶⁾ 4 P 1509 4063 ⁽⁶⁾												
	4 P	4190 4063 ⁽¹⁾																			
800 A	3 P	4190 3080 ⁽¹⁾				Black 4199 5012 ⁽²⁾		S2 type Black IP65 1423 2114 ⁽²⁾	200 mm 1400 1020 320 mm 1400 1032 ⁽²⁾	4109 0080		1 st /2 nd contact NO/NC 4109 0021 ⁽³⁾	3 P 2694 3051 ⁽⁴⁾⁽⁵⁾ 4 P 2694 4051 ⁽⁴⁾⁽⁵⁾					3 P 1509 3080 ⁽⁶⁾ 4 P 1509 4080 ⁽⁶⁾			
	4 P	4190 4080 ⁽¹⁾																			
1250 A	3 P	4190 3120 ⁽¹⁾								Black 4199 5012 ⁽²⁾			S4 type Black IP65 1443 3114 ⁽²⁾	200 mm 1401 1520 320 mm 1401 1532 ⁽²⁾		4109 0120	1 st /2 nd contact NO/NC 4109 0021 ⁽³⁾	3 P 2694 3051 ⁽⁴⁾⁽⁵⁾ 4 P 2694 4051 ⁽⁴⁾⁽⁵⁾		3 P 1509 3080 ⁽⁶⁾ 4 P 1509 4080 ⁽⁶⁾	
	4 P	4190 4120 ⁽¹⁾																			
1600 A	3 P	4190 3160 ⁽¹⁾	Black 4199 5012 ⁽²⁾	S4 type Black IP65 1443 3114 ⁽²⁾	200 mm 1401 1520 320 mm 1401 1532 ⁽²⁾						4109 0160					1 st /2 nd contact NO/NC 4109 0021 ⁽³⁾		3 P 2694 3051 ⁽⁴⁾⁽⁵⁾ 4 P 2694 4051 ⁽⁴⁾⁽⁵⁾		3 P 1509 3160 ⁽⁶⁾ 4 P 1509 4160 ⁽⁶⁾	
	4 P	4190 4160 ⁽¹⁾																			
1800 A	3 P	4190 3180				Black 4199 5012 ⁽²⁾		S4 type Black IP65 1443 3114 ⁽²⁾	200 mm 1401 1520 320 mm 1401 1532 ⁽²⁾		4109 0160				1 st /2 nd contact NO/NC 4109 0021 ⁽³⁾			3 P 2694 3051 ⁽⁴⁾⁽⁵⁾ 4 P 2694 4051 ⁽⁴⁾⁽⁵⁾		3 P 1509 3160 ⁽⁶⁾ 4 P 1509 4160 ⁽⁶⁾	
	4 P	4190 4180																			

(1) Available enclosed (see "Enclosed changeover switches" page 625).

(2) Standard.

(3) 2 pieces supplied, one for position I and one for position II.

(4) To fully shroud front, rear, top and bottom 4 references required.

(5) To shroud front switch top and bottom 2 references required.

(6) 2 pieces supplied, one for top side and another for bottom side.

SIRCOVER

Manual changeover switches
from 125 to 3200 A

References (continued)

SIRCOVER Bypass

Rating (A)	No. of poles	Switch body I-0-II	Direct handle	External handle	Shaft for external handle	Bridging bar	Auxiliary contact	Terminal shrouds	Terminal screens							
125 A	3 + 6 P	4100 7013 ⁽¹⁾	Black 4199 5012	S2 type Black IP55 1421 2113 ⁽²⁾ Black IP65 1423 2113	200 mm 1400 1020 320 mm 1400 1032 ⁽²⁾	4109 0019	1 st /2 nd contact NO/NC 4109 0021 ⁽³⁾	3 P 2694 3014 ⁽⁴⁾⁽⁵⁾ 4 P 2694 4014 ⁽⁴⁾⁽⁵⁾	3 P 1509 3012 4 P 1509 4012							
	4 + 8 P	4100 9013 ⁽¹⁾														
160 A	3 + 6 P	4100 7016 ⁽¹⁾														
	4 + 8 P	4100 9016 ⁽¹⁾														
200 A	3 + 6 P	4100 7019														
	4 + 8 P	4100 9019														
250 A	3 + 6 P	4100 7025 ⁽¹⁾								Black 2799 7052	S3 type Black IP65 1433 3113	200 mm 1401 1520 320 mm 1401 1532 ⁽²⁾	4109 0025	1 st /2 nd contact NO/NC 4109 0021 ⁽³⁾	3 P 2694 3021 ⁽⁴⁾⁽⁵⁾ 4 P 2694 4021 ⁽⁴⁾⁽⁵⁾	3 P 1509 3025 4 P 1509 4025
	4 + 8 P	4100 9025 ⁽¹⁾														
400 A	3 + 6 P	4100 7039 ⁽¹⁾														
	4 + 8 P	4100 9039 ⁽¹⁾														
500 A	3 + 6 P	4100 7050 ⁽¹⁾														
	4 + 8 P	4100 9050 ⁽¹⁾														
630 A	3 + 6 P	4100 7063 ⁽¹⁾														
	4 + 8 P	4100 9063 ⁽¹⁾														
800 A	3 + 6 P	4100 7080 ⁽¹⁾	Black 2799 7012	Black IP65 4199 7146	200 mm 2799 3015 320 mm 2799 3018 ⁽²⁾ 450 mm 2799 3019	4109 0080	1 st /2 nd contact NO/NC 4109 0021 ⁽³⁾	3 P 2694 3051 ⁽⁴⁾⁽⁵⁾ 4 P 2694 4051 ⁽⁴⁾⁽⁵⁾	3 P 1509 3063 ⁽⁶⁾ 4 P 1509 4063 ⁽⁶⁾							
	4 + 8 P	4100 9080 ⁽¹⁾														
1250 A	3 + 6 P	4100 7120 ⁽¹⁾														
	4 + 8 P	4100 9120 ⁽¹⁾														
1600 A	3 + 6 P	4100 7160 ⁽¹⁾														
	4 + 8 P	4100 9160 ⁽¹⁾														

(1) Available enclosed (see "Enclosed changeover switches" page 625).

(2) Standard.

(3) 2 pieces supplied, one for position I and one for position II.

(4) To shroud front switch top and bottom 3 references required.

(5) To fully shroud front, rear, top and bottom 6 references required.

(6) 2 pieces supplied, one for top side and another for bottom side.

Accessories

Direct operation handle

SIRCOVER AC I-0-II			
Rating (A)	Handle colour	Handle type	Reference
125 ... 630	Blue	J2 type	1122 1111
125 ... 630	Red	J2 type	1123 1111
800 ... 1800	Blue	J3 type	1132 1111
800 ... 1800	Red	J3 type	1133 1111
2000 ... 3200	Black	S5 type	2799 7042 ⁽¹⁾

SIRCOVER I - I+II - II			
Rating (A)	Handle colour	Handle type	Reference
125 ... 630	Black	B3 type	4199 5012
800 ... 1800	Black	C1 type	2799 7052

SIRCOVER Bypass			
Rating (A)	Handle colour	Handle type	Reference
125 ... 200	Black	B3 type	4199 5012
250 ... 630	Black	C1 type	2799 7052
800 ... 1600	Black	C2 type	2799 7012 ⁽¹⁾

(1) Double lever handle



External operation handle

Use

Door interlocked external front operation handles include an escutcheon, are padlockable and must be utilised with an extension shaft.

SIRCOVER AC I-0-II and SIRCOVER I-I+II-II				
Rating (A)	Switching type	External IP ⁽¹⁾	Handle	Reference
125 ... 630	I - 0 - II	IP55	S2 type	1421 2113
125 ... 630	I - 0 - II	IP65	S2 type	1423 2113
125 ... 630	I - I+II - II	IP65	S2 type	1423 2114
800 ... 1800	I - 0 - II	IP65	S4 type	1443 3113 ⁽²⁾
800 ... 1800	I - I+II - II	IP65	S4 type	1443 3114 ⁽²⁾
2000 ... 3200	I - 0 - II	IP65	S5 type	1453 8113 ⁽²⁾

(1) IP : protection degree according to IEC 60529 standard.

(2) Double lever handle.

SIRCOVER Bypass				
Rating (A)	Switching type	External IP ⁽¹⁾	Handle	Reference
125 ... 200	I - 0 - II	IP55	S2 type	1421 2113
125 ... 200	I - 0 - II	IP65	S2 type	1423 2113
250 ... 630	I - 0 - II	IP65	S3 type	1433 3113
800 ... 1600	I - 0 - II	IP65	V2 type	4199 7146

(1) IP : protection degree according to IEC 60529 standard.



Alternative S-type handle cover colours

Use

For single lever handles S1, S2, S3 type and for double lever handle S4 type.
Other colours: Please consult us.

Colour	To be ordered in multiples of	Handle	Reference
Light grey	50	S2, S3 type	1401 0001
Dark grey	50	S2, S3 type	1401 0011
Light grey	50	S4 type	1401 0031
Dark grey	50	S4 type	1401 0041



S-type handle adapter

Use

Enables S-type handles to be fitted in place of existing older style SOCOMEC handles.
Adapter can also be utilised as a spacer to increase the distance between the panel door and the handle lever.

Dimensions

Adds 12 mm to the depth.

Colour	To be ordered in multiples of	External IP ⁽¹⁾	Reference
Black	1	IP65	1493 0000

(1) IP : protection degree according to IEC 60529 standard.



SIRCOVER

Manual changeover switches

from 125 to 3200 A

Accessories (continued)

Shaft guide for external operation

Use

To guide the shaft extension into the external handle.

This accessory enables handle to engage extension shaft with a misalignment of up to 15 mm.

Required for shaft lengths over 320 mm.



access_260_a_2_cat

Description	Reference
Shaft guide	1429 0000

Shaft for external handle

Use

Standard lengths:

- 200 mm,
- 320 mm,
- 450 mm.

Other lengths: Please consult us.



access_369_a_1_cat

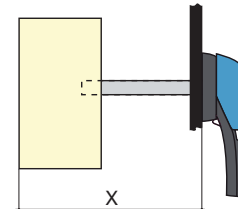
SIRCOVER AC I-0-II and SIRCOVER I-I+II-II			
Rating (A)	Length (mm)	Dimension X (mm)	Reference
125 ... 400	200	210 ... 310	1400 1020
125 ... 400	320	210 ... 430	1400 1032
500 ... 630	200	280 ... 390	1400 1020
500 ... 630	320	280 ... 510	1400 1032
800 ... 1800	200	425 ... 577	1401 1520
800 ... 1800	320	425 ... 697	1401 1532
2000 ... 3200	200	653 ... 803	2799 3015
2000 ... 3200	320	653 ... 923	2799 3018
2000 ... 3200	450	653 ... 1053	2799 3019



access_144_b_1_cat

SIRCOVER Bypass

Rating (A)	Length (mm)	Dimension X (mm)	Reference
125 ... 200	200	320 ... 450	1400 1020
125 ... 200	320	320 ... 570	1400 1032
250 ... 400	200	298 ... 420	1401 1520
250 ... 400	320	298 ... 540	1401 1532
500 ... 630	200	417 ... 539	1401 1520
500 ... 630	320	417 ... 659	1401 1532
800 ... 1600	200	550 ... 680	2799 3015
800 ... 1600	320	550 ... 800	2799 3018
800 ... 1600	450	550 ... 930	2799 3019



access_202_a_1_x_cat

Bridging bars

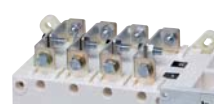
Use

For creating a common connection between switches I & II, on the top or bottom side of the SIRCOVER, to enable, for example, the load to be fed from either incoming source (I or II).

For SIRCOVER Bypass, two sets of bridging bars are needed as the switch is composed of three basic switch frames.

Rating (A)	Section (mm)	Reference
125 ... 200	20 x 2.5	4109 0019
250	25 x 2.5	4109 0025
315 ... 400	32 x 5	4109 0039
500	32 x 5	4109 0050
630	50 x 5	4109 0063
800 ... 1000	50 x 6	4109 0080
1250	60 x 8	4109 0120
1600 ... 1800	90 x 10	4109 0160

SIRCOVER AC I-0-II and SIRCOVER I-I+II-II

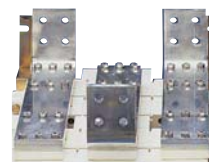


access_205_a_2_cat

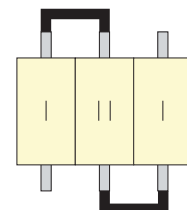
SIRCOVER Bypass



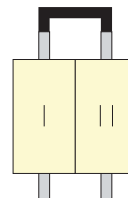
access_208_a_2_cat



access_041_a_1_cat



svr_068_a_1_x_cat



svr_124_a_1_cat

Copper bar connection kits from 2000 to 3200 A - SIRCOVER

Use

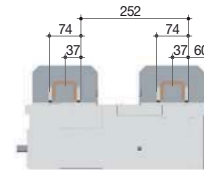
Enables:

- connection between the two power terminals of the same pole for 2000 to 3200 A ratings (Fig. 1 and Fig 2).
- top or bottom bridging connection (Fig. 3).

For 3200 A rating, the connection pieces (part A) are delivered bridged from factory. Bolt sets must be ordered separately.

Further details for these specific accessories are available in the user guide downloadable from www.socomec.com.

Fig. 1



access_226_b_1_x_cat

access_232_a_1_cat

Top or bottom flat connection - Fig. 1

Rating (A)	Piece	Quantity to order per pole ⁽¹⁾	Reference
2000 ... 2500	Connection - part A	2	2619 1200
2000 ... 2500	Bolt set - part B	2	2699 1200
3200	Connection - part A		included
3200	Bolt set - part B	2	2699 1200

(1) Example for 3 pole device equipped upstream only: Order 3 times the indicated quantities.

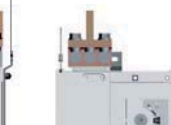
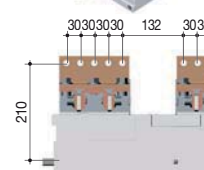
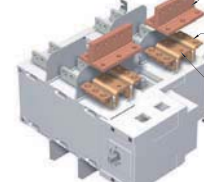
Top or bottom edgewise connection - Fig. 2

Rating (A)	Piece	Quantity to order per pole ⁽¹⁾	Reference
2000 ... 2500	Connection - part A	2	2619 1200
2000 ... 2500	T piece - part C	2	2629 1200 ⁽²⁾
2000 ... 2500	Bracket - part D	2	2639 1200 ⁽²⁾
3200	Connection - part A		included
3200	T piece - part C	2	2629 1200 ⁽²⁾
3200	Bracket - part D	2	2639 1200 ⁽²⁾

(1) Example for 3 pole device equipped upstream only: Order 3 times the indicated quantities.

(2) Bolt set is provided with the accessories.

Fig.2



access_228_b_1_x_cat

access_233_a_1_cat

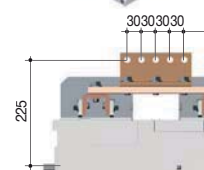
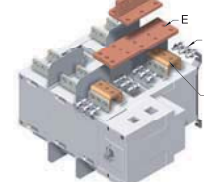
Top or bottom bridging connection - Fig. 3

Rating (A)	Piece	Quantity to order per pole ⁽¹⁾	Reference
2000 ... 2500	Connection - part A	2	2619 1200
2000 ... 2500	Bolt set - part B	2	2699 1200
2000 ... 2500	Bar - part E	1	4109 0250 ⁽²⁾
2000 ... 2500	T piece - part C	1	2629 1200 ⁽²⁾
3200	Connection - part A		included
3200	Bolt set - part B	2	2699 1200
3200	Bar - part E	1	4109 0320 ⁽²⁾
3200	T piece - part C	1	2629 1200 ⁽²⁾

(1) Example for 3 pole device equipped upstream only: Order 3 times the indicated quantities.

(2) Bolt set is provided with the accessories.

Fig. 3



access_230_b_1_x_cat

access_234_a_1_cat

Auxiliary contact

Use

Pre breaking and signalling of positions I and II: 1 or 2 NO/NC auxiliary contacts in each position.
Low level auxiliary contacts: Please consult us.

Connection to the control circuit

6.35 mm fast-on terminal.

Electrical characteristics

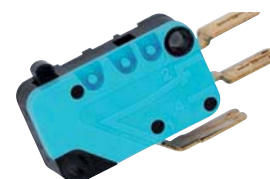
30 000 operations.

Characteristics

Rating (A)	Nominal current (A)	Operating current I _o (A)			
		A - 250 13 VAC	400 VAC AC-13	24 VDC DC-13	48 VDC DC-13
125 ... 3200	16	12	8	14	6

NO/NC changeover contact

Rating (A)	Contact(s)	Reference
125 ... 1800	1 st /2 nd	4109 0021
2000 ... 3200	1 st	included



svr_068_a_1_cat

access_065_a_1_cat

SIRCOVER

Manual changeover switches

from 125 to 3200 A

Accessories (continued)

Terminal shrouds

Use

Protection against direct contact with terminals or connecting parts.

Advantage

Perforations allow remote thermographic inspection without the need to remove the shrouds.

Rating (A)	No. of poles	Position	Reference
125 ... 200	3 P	top / bottom / front (I) / rear (II)	2694 3014 ⁽¹⁾⁽²⁾
125 ... 200	4 P	top / bottom / front (I) / rear (II)	2694 4014 ⁽¹⁾⁽²⁾
250 ... 400	3 P	top / bottom / front (I) / rear (II)	2694 3021 ⁽¹⁾⁽²⁾
250 ... 400	4 P	top / bottom / front (I) / rear (II)	2694 4021 ⁽¹⁾⁽²⁾
500 ... 630	3 P	top / bottom / front (I) / rear (II)	2694 3051 ⁽¹⁾⁽²⁾
500 ... 630	4 P	top / bottom / front (I) / rear (II)	2694 4051 ⁽¹⁾⁽²⁾

(1) To shroud front switch top and bottom 4 references required for a SIRCOVER and 6 references for a SIRCOVER Bypass.

(2) To shroud front switch top and bottom 2 references required for a SIRCOVER and a SIRCOVER Bypass.



access_206_a_2_cat

Terminal screens

Use

Top and bottom protection against direct contact with terminals or connection parts.

Rating (A)	No. of poles	Position	Reference
125 ... 200	3 P	top / bottom	1509 3012
125 ... 200	4 P	top / bottom	1509 4012
250 ... 400	3 P	top / bottom	1509 3025
250 ... 400	4 P	top / bottom	1509 4025
500 ... 630	3 P	top / bottom	1509 3063
500 ... 630	4 P	top / bottom	1509 4063
800 ... 1250	3 P	top / bottom	1509 3080
800 ... 1250	4 P	top / bottom	1509 4080
1600 ... 1800	3 P	top / bottom	1509 3160
1600 ... 1800	4 P	top / bottom	1509 4160
2000 ... 3200	3 / 4 P	top / bottom	included



access_207_a_2_cat

Key handle interlocking system

Padlocking in position I, 0 or II

Rating (A) SIRCOVER	Rating (A) SIRCOVER Bypass	Operation	Figure	Reference
125 ... 630	125 ... 200	external	1	1423 2813

Locking using RONIS EL11AP lock in position 0 (not included)

Rating (A) SIRCOVER	Rating (A) SIRCOVER Bypass	Operation	Figure	Reference
125 ... 630	125 ... 200	direct	2	4109 1006 ⁽¹⁾
	250 ... 630	direct	3	Please consult us
800 ... 1800	800 ... 1600	direct	3	4109 1004 ⁽²⁾
2000 ... 3200		direct	3	4109 2007 ⁽²⁾
125 ... 1800	125 ... 630	external	4	1499 7701 ⁽²⁾
2000 ... 3200	800 ... 1600	external	4	2799 7002 ⁽²⁾

⁽¹⁾ Specific handle included.

⁽²⁾ This locking facility can be configured by the user in the 3 positions.

Locking using RONIS EL11AP lock in position I, 0, II (not included)

Rating (A) SIRCOVER	Rating (A) SIRCOVER Bypass	Operation	Figure	Reference
125 ... 630	125 ... 200	direct	2	4109 1002 ⁽¹⁾
	250 ... 630	direct	3	Please consult us
800 ... 1800	800 ... 1600	direct	3	4109 1004 ⁽²⁾
2000 ... 3200		direct	3	4109 2007 ⁽²⁾
125 ... 1800	125 ... 630	external	4	1499 7701 ⁽²⁾
2000 ... 3200	800 ... 1600	external	4	2799 7002 ⁽²⁾

⁽¹⁾ Specific handle included.

⁽²⁾ This locking facility can be configured by the user in the 3 positions.

Locking using 230 VAC undervoltage coil in position (factory fitted)

Rating (A) SIRCOVER	Rating (A) SIRCOVER Bypass	Operation	Figure	Reference
800 ... 3200	800 ... 1600	direct	3	Please consult us

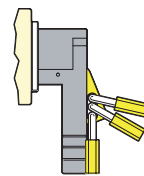
Locking using type K CASTELL lock (not supplied)

Rating (A) SIRCOVER	Rating (A) SIRCOVER Bypass	Operation	Figure	Reference
125 ... 1800	125 ... 630	external	4	1499 7702
2000 ... 3200	800 ... 1600	external	4	2799 7003

Use

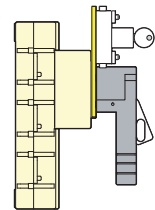
- Using padlock (not supplied). This device is factory mounted in the direct or external operation handle and allows the use of up to 3 padlocks.
- Locking:
 - - using lock (not supplied)
 - - using undervoltage coil.
- The interlocking positions are either determined as standard or configured by the user by removing the pre-formed tabs.
- Padlocking and locking can be combined.

Fig. 1



access_061_a_1_x_cat

Fig.2



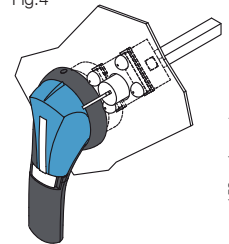
access_001_a_1_x_cat

Fig. 3



access_132_a_1_x_cat

Fig.4



access_158_a_1_x_cat

Other specific accessories



bd_C03_04_01

- Customised protection screens (for specific dimensions or high ambient temperatures).
- Inter phase barrier.
- Connection accessories.
- Low level auxiliary contacts.

SIRCOVER AC I-0-II - Characteristics according to IEC 60947-3 and IEC 60947-6-1

125 to 630 A

Thermal current I_{th} at 40°C	125 A	160 A	200 A	250 A	315A	400 A	500 A	630 A
Rated insulation voltage U_i (V)	800	800	800	1000	1000	1000	1000	1000
Rated impulse withstand voltage U_{imp} (kV)	8	8	8	12	12	12	12	12

Rated operational currents I_e (A)

Rated voltage	Utilisation category	A/B ⁽¹⁾	A/B ⁽¹⁾	A/B ⁽¹⁾	A/B ⁽¹⁾	A/B ⁽¹⁾	A/B ⁽¹⁾	A/B ⁽¹⁾	A/B ⁽¹⁾
415 VAC	AC-20 A / AC-20 B	125/125	160/160	200/200	250/250	315/315	400/400	500/500	630/630
415 VAC	AC-21 A / AC-21 B	125/125	160/160	200/200	250/250	315/315	400/400	500/500	630/630
415 VAC	AC-22 A / AC-22 B	125/125	160/160	200/200	250/250	315/315	400/400	500/500	630/630
415 VAC	AC-23 A / AC-23 B	125/125	160/160	200/200	200/200	315/315	400/400	500/500	630/630
500 VAC	AC-20 A / AC-20 B	125/125	160/160	200/200	250/250	315/315	400/400	500/500	630/630
500 VAC	AC-21 A / AC-21 B	125/125	160/160	200/200	250/250	315/315	400/400	500/500	630/630
500 VAC	AC-22 A / AC-22 B	125/125	160/160	200/200	200/250	200/315	200/400	500/500	500/500
500 VAC	AC-23 A / AC-23 B	80/80	80/80	80/80	200/200	200/200	200/200	400/400	400/400
690 VAC	AC-20 A / AC-20 B	125/125	160/160	200/200	250/250	315/315	400/400	500/500	630/630
690 VAC	AC-21 A / AC-21 B	125/125	160/160	200/200	200/200	200/200	200/200	500/500	500/500
690 VAC	AC-22 A / AC-22 B	125/125	125/125	125/125	160/160	160/160	160/160	400/400	400/400
690 VAC	AC-23 A / AC-23 B	63/80	63/80	63/80	125/125	125/125	125/125	400/400	400/400
220 VDC ⁽²⁾	DC-20 A / DC-20 B	125/125	160/160	200/200	250/250	315/315	400/400	500/500	630/630
220 VDC ⁽²⁾	DC-21 A / DC-21 B	125/125	160/160	200/200	250/250	250/250	250/250	500/500	630/630
220 VDC ⁽²⁾	DC-22 A / DC-22 B	125/125	160/160	200/200	250/250	250/250	250/250	500/500	630/630
220 VDC ⁽²⁾	DC-23 A / DC-23 B	125/125	125/125	125/125	200/200	200/200	200/200	500/500	630/630
440 VDC ⁽²⁾	DC-20 A / DC-20 B	125/125	160/160	200/200	250/250	315/315	400/400	500/500	630/630
440 VDC ⁽²⁾	DC-21 A / DC-21 B	125/125	125/125	125/125	200/200	200/200	200/200	500/500	630/630
440 VDC ⁽²⁾	DC-22 A / DC-22 B	125/125	125/125	125/125	200/200	200/200	200/200	500/500	630/630
440 VDC ⁽²⁾	DC-23 A / DC-23 B	125/125	125/125	125/125	200/200	200/200	200/200	500/500	630/630

Operational power in AC-23 (kW)

At 400 VAC without pre-break in AC ⁽³⁾	63/63	80/80	80/80	132/132	132/132	280/280	280/280	450/450
At 690 VAC without pre-break in AC ⁽³⁾	55/75	55/75	55/75	90/110	90/110	150/185	150/185	185/220

Reactive power (kvar)

At 400 VAC ⁽⁵⁾	55	75	90	115	145	185	230	290
---------------------------	----	----	----	-----	-----	-----	-----	-----

Rated operational currents I_e (A) according to IEC 60947-6-1

Rated voltage	Utilisation category	A/B ⁽¹⁾	A/B ⁽¹⁾	A/B ⁽¹⁾	A/B ⁽¹⁾	A/B ⁽¹⁾	A/B ⁽¹⁾	A/B ⁽¹⁾	A/B ⁽¹⁾
415 VAC	AC-31 A / AC-31 B	125	160	200	250	315	400	500	630
415 VAC	AC-32 A / AC-32 B				200	315	400	500	500
415 VAC	AC-33 A / AC-33 B				200	200	200	400	400

Fuse protected short-circuit withstand as per IEC 60947-3 at 690 VAC

Prospective short-circuit current (kA rms)	100 ⁽⁵⁾	100 ⁽⁵⁾	50 ⁽⁵⁾	50	50	50	50	50
Associated fuse rating (A)	125	160	200	250	315	400	500	630

Circuit breaker protected short-circuit withstand with any circuit breaker that ensures tripping in less than 0.3s⁽⁴⁾

Rated short-time withstand current 0.3s low (kA rms)	12 ⁽⁵⁾	12 ⁽⁵⁾	12 ⁽⁵⁾	15	15	15	17	17
--	-------------------	-------------------	-------------------	----	----	----	----	----

Short-circuit withstand without protection as per IEC 60947-3 at 690 VAC

Rated short-time withstand current 1s low (kA rms)	7 ⁽⁵⁾	7 ⁽⁵⁾	7 ⁽⁵⁾	8	8	8	10	10
Rated short-circuit making capacity I_{cm} (kA peak)	11.9	11.9	11.9	22	22	22	17	17
Rated short-time withstand current 60ms low (kA rms) as per IEC 60947-6-1 at 415 VAC				10 ⁽⁶⁾	10 ⁽⁶⁾	10 ⁽⁶⁾	10	12.6

Connection

Minimum Cu cable cross-section (mm ²)	35	50	70	95	150	185	240	2 x 150
Minimum Cu busbar cross-section (mm ²)								2 x 30 x 5
Maximum Cu cable cross-section (mm ²)	50	95	120	150	240	240	2 x 185	2 x 300
Maximum Cu busbar width (mm)	25	25	25	32	32	32	50	50
Tightening torque mini / maxi (Nm)	9/13	9/13	9/13	20/26	20/26	20/26	20/26	20/26

Mechanical characteristics

Durability (number of operating cycles)	10 000	10 000	10 000	10 000	10 000	10 000	10 000	10 000
Weight of 3 P switch (kg)	2.9	2.9	2.9	3.8	3.9	3.9	8.6	9.1
Weight of 4 P switch (kg)	4.1	4.1	4.1	4.6	4.9	4.9	10.4	11.1

(1) Category with index A = frequent operation - Category with index B = infrequent operation.

(2) 3-pole device with 2 pole in series for the "+" and 1 pole for the "-". 4-pole device with 2 pole in series by polarity.

(3) The power value is given for information only, the current values vary from one manufacturer to another.

(4) Value for coordination with any circuit breaker that ensures tripping in less than 0.3s.

For coordination with specific circuit-breaker references, higher short-circuit current values are available. Please consult us.

(5) Data at 415 VAC

(6) Data at 30 ms

800 to 3200 A

Thermal current I_{th} at 40°C	800 A	1000 A	1250 A	1600 A	1800 A	2000 A	2500 A	3200 A
Rated insulation voltage U_i (V)	1000	1000	1000	1000	1000	1000	1000	1000
Rated impulse withstand voltage U_{imp} (kV)	12	12	12	12	12	12	12	12

Rated operational currents I_e (A)

Rated voltage	Utilisation category	A/B ⁽¹⁾	A/B ⁽¹⁾	A/B ⁽¹⁾	A/B ⁽¹⁾	A/B ⁽¹⁾	A/B ⁽¹⁾	A/B ⁽¹⁾	A/B ⁽¹⁾
415 VAC	AC-20 A / AC-20 B	800/800	1000/1000	1250/1250	1600/1600	1800/1800	2000/2000	2500/2500	3200/3200
415 VAC	AC-21 A / AC-21 B	800/800	1000/1000	1250/1250	1600/1600	1800/1800	-/2000	-/2500	-/3200
415 VAC	AC-22 A / AC-22 B	800/800	1000/1000	1250/1250	1600/1600	1600/1600	-/2000	-/2500	-/3200
415 VAC	AC-23 A / AC-23 B	800/800	1000/1000	1250/1250	1250/1250	1250/1250	-/1600	-/1600	-/1600
500 VAC	AC-20 A / AC-20 B	800/800	1000/1000	1250/1250	1600/1600	1800/1800	2000/2000	2500/2500	3200/3200
500 VAC	AC-21 A / AC-21 B	800/800	1000/1000	1250/1250	1600/1600	1600/1600	-/2000	-/2500	-/3200
500 VAC	AC-22 A / AC-22 B	630/630	800/800	1000/1000	1000/1000	1000/1000			
500 VAC	AC-23 A / AC-23 B	400/400	630/630	800/800	800/800	800/800			
690 VAC	AC-20 A / AC-20 B	800/800	1000/1000	1250/1250	1600/1600	1800/1800	2000/2000	2500/2500	3200/3200
690 VAC	AC-21 A / AC-21 B	800/800	1000/1000	1250/1250	1600/1600	1600/1600	-/2000	-/2500	-/3200
690 VAC	AC-22 A / AC-22 B	630/630	800/800	1000/1000	1000/1000	1000/1000			
690 VAC	AC-23 A / AC-23 B	400/400	630/630	800/800	1000/1000	1000/1000			
220 VDC ⁽²⁾	DC-20 A / DC-20 B	800/800	1000/1000	1250/1250	1600/1600	1800/1800			
220 VDC ⁽²⁾	DC-21 A / DC-21 B	800/800	1000/1000	1250/1250	1250/1250	1250/1250			
220 VDC ⁽²⁾	DC-22 A / DC-22 B	800/800	1000/1000	1250/1250	1250/1250	1250/1250			
220 VDC ⁽²⁾	DC-23 A / DC-23 B	800/800	1000/1000	1250/1250	1250/1250	1250/1250			
440 VDC ⁽²⁾	DC-20 A / DC-20 B	800/800	1000/1000	1250/1250	1600/1600	1800/1800			
440 VDC ⁽²⁾	DC-21 A / DC-21 B	800/800	1000/1000	1250/1250	1250/1250	1250/1250			
440 VDC ⁽²⁾	DC-22 A / DC-22 B	800/800	1000/1000	1250/1250	1250/1250	1250/1250			
440 VDC ⁽²⁾	DC-23 A / DC-23 B	800/800	1000/1000	1250/1250	1250/1250	1250/1250			

Operational power in AC-23 (kW)

At 400 VAC without pre-break in AC ⁽³⁾	710/710	710/710	710/710	710/710	710/710	710/710	710/710		
At 690 VAC without pre-break in AC ⁽³⁾	185/220	475/475	475/475	750/750	750/750	750/750	750/750		

Reactive power (kvar)

At 400 VAC ⁽⁵⁾	365	460	575						
---------------------------	-----	-----	-----	--	--	--	--	--	--

Rated operational currents I_e (A) according to IEC 60947-6-1

Rated voltage	Utilisation category	A/B ⁽¹⁾	A/B ⁽¹⁾	A/B ⁽¹⁾	A/B ⁽¹⁾	A/B ⁽¹⁾	A/B ⁽¹⁾	A/B ⁽¹⁾	A/B ⁽¹⁾
415 VAC	AC-31 A / AC-31 B	800	1000	1250	1600	1800	2000	2500	3200
415 VAC	AC-32 A / AC-32 B	800	1000	1250	1600	1600	2000	2000	2000
415 VAC	AC-33 A / AC-33 B	800	800	800	1000	1000	1250	1250	1250

Fuse protected short-circuit withstand as per IEC 60947-3 at 415 VAC

Prospective short-circuit current (kA rms)	50	100	100	100	100				
Associated fuse rating (A)	800	1000	1250	2 x 800	2 x 800				

Circuit breaker protected short-circuit withstand with any circuit breaker that ensures tripping in less than 0.3s⁽⁴⁾

Rated short-time withstand current 0.3s I_{cw} (kA rms)	47	64	64	78	78	78	78	78	78
---	----	----	----	----	----	----	----	----	----

Short-circuit withstand without protection as per IEC 60947-3 at 415 VAC

Rated short-time withstand current 1s I_{sw} (kA rms)	26	35	35	50	50	50	50	50	50
Rated short-circuit making capacity I_{cm} (kA peak)	48	73.5	73.5	110	110	110	110	110	110
Rated short-time withstand current 60ms I_{sw} (kA rms) as per IEC 60947-6-1 at 415 VAC	16	20	25	32	32	40	50	50	50

Connection

Minimum Cu cable cross-section (mm ²)	2 x 185	2 x 240							
Minimum Cu busbar cross-section (mm ²)	2 x 40 x 5	2 x 50 x 5	2 x 60 x 5	2 x 80 x 5	3 x 100 x 5	2 x 100 x 10	2 x 100 x 10	2 x 100 x 10	
Maximum Cu cable cross-section (mm ²)	2 x 300	4 x 185	4 x 185	6 x 185	6 x 185				
Maximum Cu busbar width (mm)	63	63	63	100	100	100	100	100	100
Tightening torque min (Nm)	20/26	20/26	20/26	40/45	40/45	40/45	40/45	40/45	40/45

Mechanical characteristics

Durability (number of operating cycles)	10 000	10 000	10 000	10 000	10 000	10 000	10 000	10 000	10 000
Weight of 3 P switch (kg)	20.5	21.0	21.6	25.7	25.7	42.0	42.0	52.3	52.3
Weight of 4 P switch (kg)	24.8	25.6	26.2	32.0	32.0	52.9	52.9	66.6	66.6

(1) Category with index A = frequent operation - Category with index B = infrequent operation.

(2) 3-pole device with 2 pole in series for the "+" and 1 pole for the "-". 4-pole device with 2 pole in series by polarity.

(3) The power value is given for information only, the current values vary from one manufacturer to another.

(4) Value for coordination with any circuit breaker that ensures tripping in less than 0.3s. For coordination with specific circuit-breaker references, higher short-circuit current values are available. Please consult us.

(5) Data at 415 VAC.

SIRCOVER I-I+II -II and SIRCOVER Bypass - Characteristics according to IEC 60947-3

125 to 400 A

Thermal current I_{th} at 40°C	125 A	160 A	200 A	250 A	400 A
Rated insulation voltage U_i (V)	800	800	800	800	800
Rated impulse withstand voltage U_{imp} (kV)	8	8	8	8	8

Rated operational currents I_e (A)

Rated voltage	Utilisation category	A/B ⁽¹⁾	A/B ⁽¹⁾	A/B ⁽¹⁾	A/B ⁽¹⁾	A/B ⁽¹⁾
415 VAC	AC-20 A / AC-20 B	125/125	160/160	200/200	250/250	400/400
415 VAC	AC-21 A / AC-21 B	125/125	160/160	200/200	250/250	400/400
415 VAC	AC-22 A / AC-22 B	125/125	160/160	160/160	250/250	250/250
415 VAC	AC-23 A / AC-23 B	125/125	160/160	160/160	250/250	250/250
690 VAC ⁽²⁾	AC-20 A / AC-20 B	125/125	160/160	200/200	250/250	400/400
690 VAC ⁽²⁾	AC-21 A / AC-21 B	125/125	160/160	160/160	200/250	200/250
690 VAC ⁽²⁾	AC-22 A / AC-22 B	125/125	125/125	125/125	125/160	125/160
690 VAC ⁽²⁾	AC-23 A / AC-23 B	63/80	63/80	63/80	100/125	100/125
220 VDC	DC-20 A / DC-20 B	125/125	160/160	200/200	250/250	400/400
220 VDC	DC-21 A / DC-21 B	125/125	160/160	160/160	250/250	250/250
220 VDC	DC-22 A / DC-22 B	125/125	160/160	160/160	250/250	250/250
220 VDC	DC-23 A / DC-23 B	125/125	125/125	125/125	200/200	200/200
440 VDC	DC-20 A / DC-20 B	125/125	160/160	200/200	250/250	400/400
440 VDC	DC-21 A / DC-21 B	125 ⁽³⁾ /125 ⁽³⁾	125 ⁽³⁾ /125 ⁽³⁾	125 ⁽³⁾ /125 ⁽³⁾	200 ⁽³⁾ /200 ⁽³⁾	200 ⁽³⁾ /200 ⁽³⁾
440 VDC	DC-22 A / DC-22 B	125 ⁽³⁾ /125 ⁽³⁾	125 ⁽³⁾ /125 ⁽³⁾	125 ⁽³⁾ /125 ⁽³⁾	200 ⁽³⁾ /200 ⁽³⁾	200 ⁽³⁾ /200 ⁽³⁾
440 VDC	DC-23 A / DC-23 B	125 ⁽⁴⁾ /125 ⁽⁴⁾	125 ⁽⁴⁾ /125 ⁽⁴⁾	125 ⁽⁴⁾ /125 ⁽⁴⁾	200 ⁽⁴⁾ /200 ⁽⁴⁾	200 ⁽⁴⁾ /200 ⁽⁴⁾

Operational power in AC-23 (kW)

At 400 VAC without pre-break in AC ⁽¹⁾⁽⁵⁾	63/63	80/80	80/80	132/132	132/132
At 690 VAC without pre-break in AC ⁽¹⁾⁽⁵⁾	55/75	55/75	55/75	90/110	90/110

Reactive power (kvar)

At 400 VAC ⁽⁵⁾	55	75	90	115	185
---------------------------	----	----	----	-----	-----

Fuse protected short-circuit withstand as per IEC 60947-3 at 400 VAC

Prospective short-circuit current (kA rms)	100	100	50	50	18
Associated fuse rating (A)	125	160	200	250	400

Circuit breaker protected short-circuit withstand with any circuit breaker that ensures tripping in less than 0.3s⁽⁶⁾

Rated short-time withstand current 0.3s low (kA rms)	15	15	15	17	17
--	----	----	----	----	----

Short-circuit capacity (without protection)

Rated short-time withstand current 1s low (kA rms)	8	8	8	9	9
--	---	---	---	---	---

Connection

Minimum Cu cable cross-section (mm ²)	35	50	50	95	185
Minimum Cu busbar cross-section (mm ²)					
Maximum Cu cable cross-section (mm ²)		50	95	95	150
Maximum Cu busbar width (mm)	25	25	25	32	32
Tightening torque min (Nm)	9	9	9	20	20

Mechanical characteristics

Durability (number of operating cycles)	10000	10000	10000	10000	10000
Weight of 3 P switch (kg)	2.9	2.9	2.9	3.8	3.9
Weight of 4 P switch (kg)	4.1	4.1	4.1	4.6	4.9

(1) Category with index A = frequent operation - Category with index B = infrequent operation.

(2) With terminal shrouds or phase barrier.

(3) 4-pole device with 2 poles in series per polarity.

(4) 3-pole device with 2 pole in series for the "+" and 1 pole for the "-".

(5) The power value is given for information only, the current values vary from one manufacturer to another.

(6) Value for coordination with any circuit breaker that ensures tripping in less than 0.3s.

For coordination with specific circuit-breaker references, higher short-circuit current values are available. Please consult us.

500 to 1800 A

Thermal current I_{th} at 40°C	500 A	630 A	800 A	1250 A	1600 A	1800 A
Rated insulation voltage U_i (V)	800	1000	1000	1000	1000	1000
Rated impulse withstand voltage U_{imp} (kV)	8	12	12	12	12	12

Rated operational currents I_e (A)

Rated voltage	Utilisation category	A/B ⁽¹⁾	A/B ⁽¹⁾	A/B ⁽¹⁾	A/B ⁽¹⁾	A/B ⁽¹⁾	A/B ⁽¹⁾
415 VAC	AC-20 A / AC-20 B	500/500	630/630	800/800	1250/1250	1600/1600	1800/1800
415 VAC	AC-21 A / AC-21 B	500/500	630/630	800/800	1250/1250	1600/1600	1800/1800
415 VAC	AC-22 A / AC-22 B	500/500	630/630	800/800	1250/1250	1600/1600	1800/1800
415 VAC	AC-23 A / AC-23 B	500/500	500/500	800/800	1250/1250	1250/1250	1250/1250
690 VAC ⁽²⁾	AC-20 A / AC-20 B	500/500	630/630	800/800	1250/1250	1600/1600	1800/1800
690 VAC ⁽²⁾	AC-21 A / AC-21 B	400/400	500/500	800/800	800/800	1000/1000	1000/1000
690 VAC ⁽²⁾	AC-22 A / AC-22 B	250/315	315/315	800/800	800/800	1000/1000	1000/1000
690 VAC ⁽²⁾	AC-23 A / AC-23 B	160/200	160/200	200/250	200/250	500/500	500/500
220 VDC	DC-20 A / DC-20 B	500/500	630/630	800/800	1250/1250	1600/1600	1800/1800
220 VDC	DC-21 A / DC-21 B	500/500	630/630	800/800	1250/1250	1250/1250	1250/1250
220 VDC	DC-22 A / DC-22 B	400/500	500/500	800/800	1250/1250	1250/1250	1250/1250
220 VDC	DC-23 A / DC-23 B	400/500	500/500	800/800	1250/1250	1250/1250	1250/1250
440 VDC	DC-20 A / DC-20 B	500/500	630/630	800/800	1250/1250	1600/1600	1800/1800
440 VDC	DC-21 A / DC-21 B	400 ⁽³⁾ /400 ⁽³⁾	500 ⁽³⁾ /500 ⁽³⁾	800 ⁽³⁾ /800 ⁽³⁾	1250 ⁽³⁾ /1250 ⁽³⁾	1250 ⁽³⁾ /1250 ⁽³⁾	1250 ⁽³⁾ /1250 ⁽³⁾
440 VDC	DC-22 A / DC-22 B	315 ⁽³⁾ /400 ⁽³⁾	500 ⁽³⁾ /500 ⁽³⁾	800 ⁽³⁾ /800 ⁽³⁾	1250 ⁽³⁾ /1250 ⁽³⁾	1250 ⁽³⁾ /1250 ⁽³⁾	1250 ⁽³⁾ /1250 ⁽³⁾
440 VDC	DC-23 A / DC-23 B	400 ⁽⁴⁾ /400 ⁽⁴⁾	500 ⁽⁴⁾ /500 ⁽⁴⁾	800 ⁽³⁾ /800 ⁽³⁾	1250 ⁽³⁾ /1250 ⁽³⁾	1250 ⁽³⁾ /1250 ⁽³⁾	1250 ⁽³⁾ /1250 ⁽³⁾

Operational power in AC-23 (kW)

At 400 VAC without pre-break in AC ⁽¹⁾⁽⁵⁾	280/280	280/280	450/450	710/710	710/710	710/710
At 690 VAC without pre-break in AC ⁽¹⁾⁽⁵⁾	150/185	150/185	185/220	185/220	475/475	475/475

Reactive power (kvar)

At 400 VAC ⁽⁵⁾	230	290	365	575		
---------------------------	-----	-----	-----	-----	--	--

Fuse protected short-circuit withstand as per IEC 60947-3 at 400 VAC

Prospective short-circuit current (kA rms)	100	70	50	100	100	100
Associated fuse rating (A)	500	630	800	1250	2 x 800	2 x 800

Circuit breaker protected short-circuit withstand with any circuit breaker that ensures tripping in less than 0.3s⁽⁶⁾

Rated short-time withstand current 0.3s I_{sc} (kA rms)	25	25	50	65	100	100
---	----	----	----	----	-----	-----

Short-circuit capacity (without protection)

Rated short-time withstand current 1s I_{sc} (kA rms)	14	25	50	65	100	100
---	----	----	----	----	-----	-----

Connection

Minimum Cu cable cross-section (mm ²)	240	2 x 150	2 x 185			
Minimum Cu busbar cross-section (mm ²)		2 x 30 x 5	2 x 40 x 5	2 x 60 x 5	2 x 80 x 5	2 x 80 x 5
Maximum Cu cable cross-section (mm ²)	240	240	2 x 300	2 x 300	4 x 185	6 x 185
Maximum Cu busbar width (mm)	40	50	63	63	100	100
Tightening torque min (Nm)	20	20	20	20	40	40

Mechanical characteristics

Durability (number of operating cycles)	5000	5000	3000	3000	3000	3000
Weight of 3 P switch (kg)	9.1	9.1	20.5	21.6	25.7	25.7
Weight of 4 P switch (kg)	11.1	11.1	24.8	26.2	32	32

(1) Category with index A = frequent operation - Category with index B = infrequent operation.

(2) With terminal shrouds or phase barrier.

(3) 4-pole device with 2 poles in series per polarity.

(4) 3-pole device with 2 pole in series for the "+" and 1 pole for the "-".

(5) The power value is given for information only, the current values vary from one manufacturer to another.

(6) Value for coordination with any circuit breaker that ensures tripping in less than 0.3s. For coordination with specific circuit-breaker references, higher short-circuit current values are available. Please consult us.

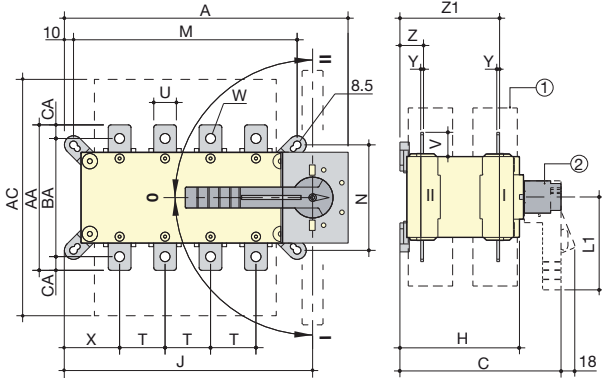
SIRCOVER

Manual changeover switches
from 125 to 3200 A

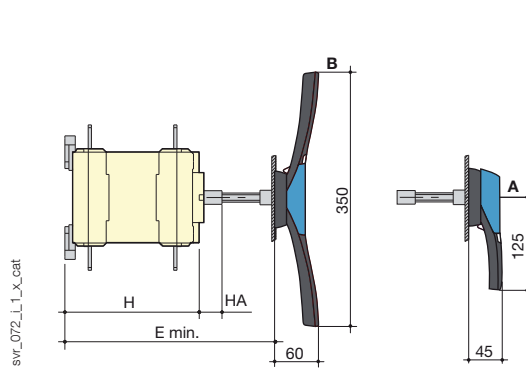
Dimensions

SIRCOVER 125 to 1800 A

Direct front operation



External front operation



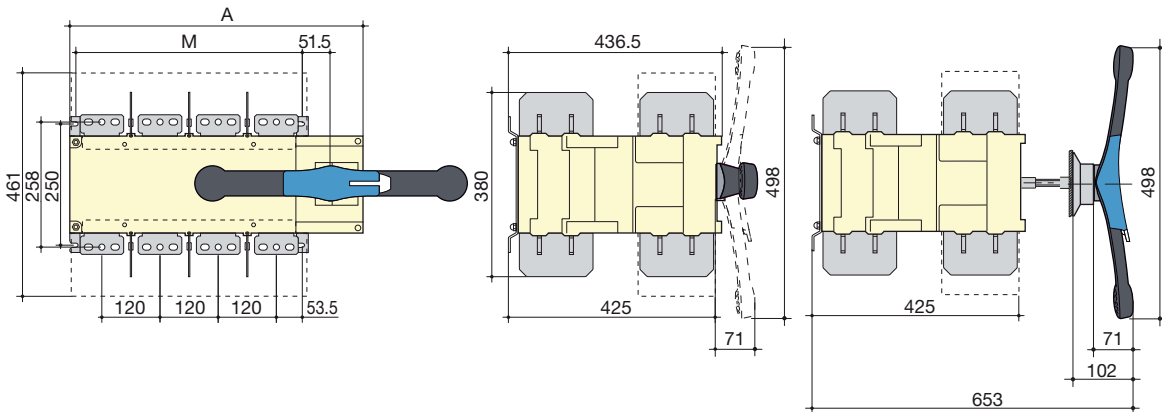
A. S2 type handle for external operation: 125 to 630 A
B. S4 type handle for external operation: 800 to 1800 A

1. Terminal shrouds
2. Direct handle operation:
- 125 to 630 A: L1 = 140 mm,
- 800 to 1800 A: L1 = 210 mm.

Rating (A)	Overall dimensions				Terminal shrouds	Switch body				Switch mounting				Connection										
	A 3p.	A 4p.	C	E min		AC	H	HA	J 3p.	J 4p.	M 3p.	M 4p.	N	T	U	V	W	X 3p.	X 4p.	Y	Z	Z1	AA	BA
125	221	251	218	208 ... 436	235	148	25	182	212	156	186	101	36	20	25	8.5	56	50	3.5	28	124	135	115	10
160	221	251	218	208 ... 436	235	148	25	182	212	156	186	101	36	20	25	8.5	56	50	3.5	28	124	135	115	10
200	221	251	218	208 ... 436	235	148	25	182	212	156	186	101	36	20	25	8.5	56	50	3.5	28	124	135	115	10
250	262	312	218	208 ... 436	280	148	25	223	273	196	246	116	50	25	30	11	61	61	3.5	30	124	160	130	15
315	262	312	218	208 ... 436	280	148	25	223	273	196	246	116	50	35	35	11	61	61	3.5	30	124	170	140	15
400	262	312	218	208 ... 436	280	148	25	223	273	196	246	116	50	35	35	11	61	61	3.5	30	124	170	140	15
500	319	379	295	285 ... 513	401	225	25	272	332	246	306	176	65	32	37	13	70.5	65.5	5	43	180	235	205	15
630	319	379	295	285 ... 513	400	225	25	272	332	246	306	176	65	45	50	13	70.5	65.5	5	43	180	260	220	20
800	386	466	375	425 ... 577	459	298	29	306.5	386.5	255	336	250	80	50	60.5	15	48	48	7	66.5	253.5	321		26.5
1000	386	466	375	425 ... 577	459	298	29	306.5	386.5	255	336	250	80	50	60.5	15	48	48	7	66.5	253.5	321		26.5
1250	386	466	375	425 ... 577	459	298	29	306.5	386.5	255	336	250	80	60	65	16x11	48	48	7	66.5	255.5	330		29.5
1600	478	598	375	425 ... 577	461	298	29	388.5	518.5	347	467	250	120	90	43.5	12.5x5	54	54	8	66.5	255.5	288		15
1800	478	598	375	425 ... 577	461	298	29	388.5	518.5	347	467	250	120	90	43.5	12.5x5	54	54	8	66.5	255.5	288		15

SIRCOVER 2000 to 3200 A

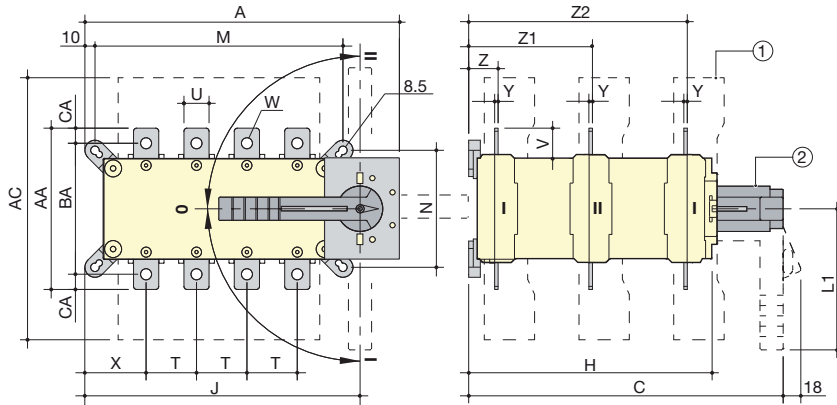
Direct front operation



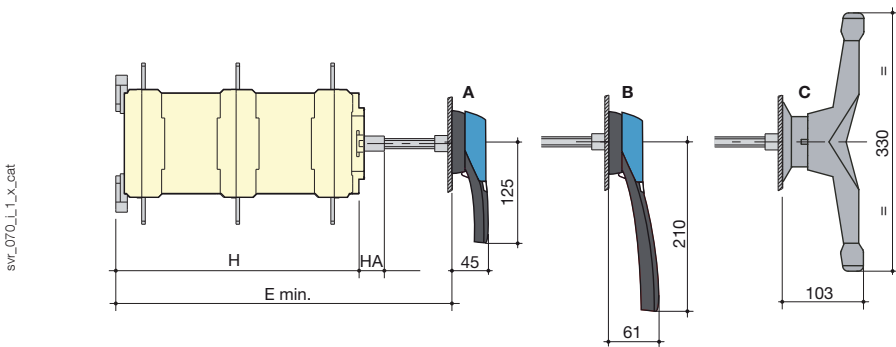
Rating (A)	Overall dimensions		Switch mounting	
	A 3p.	A 4p.	M 3p.	M 4p.
2000 ... 3200	478	598	347	467

SIRCOVER Bypass 125 to 1600 A

Direct front operation



External front operation



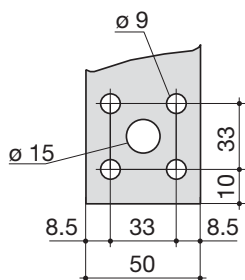
- A. S2 type handle for external operation:
125 to 200 A
- B. S3 type handle for external operation:
250 to 630 A
- C. External double lever handle: 800 to 1600 A

- 1. Terminal shrouds
- 2. Direct handle operation:
- 125 to 200 A: L1 = 140 mm,
- 250 to 630 A: L1 = 210 mm,
- 800 to 1600 A: L1 = Ø 330 mm.

Rating (A)	Overall dimensions				Terminal shrouds	Switch body				Switch mounting				Connection											
	A 3+6p.	A 4+8p.	C	E min.	AC	H	HA	J 3+6 p.	J 4+8 p.	M 3+6 p.	M 4+8 p.	N	T	U	V	W	X 3+6p.	X 4+8p.	Y	Z	Z1	Z1	AA	BA	CA
125	221	251	313	320	235	243	25	182	212	156	186	101	36	20	25	8.5	56	50	3.5	28	124	219	135	115	10
160	221	251	313	320	235	243	25	182	212	156	186	101	36	20	25	8.5	56	50	3.5	28	124	219	135	115	10
200	221	251	313	320	235	243	25	182	212	156	186	101	36	20	25	8.5	56	50	3.5	28	124	219	135	115	10
250	262	312	313	298	280	243	25	223	273	196	246	116	50	25	30	11	61	61	3.5	30	124	219	160	130	10
400	262	312	313	298	280	243	25	223	273	196	246	116	50	35	35	11	61	61	3.5	30	124	219	170	140	15
500	319	379	432	417	401	362	25	272	332	246	306	176	65	32	37	13	70.5	65.5	5	43	180	317	235	205	15
630	319	379	432	417	400	362	25	272	332	246	306	176	65	45	50	13	70.5	65.5	5	43	180	317	260	220	20
800	386	466	560	550	459	479	29	306.5	386.5	255	335	250	80	50	60.5	15	48	48	7	66.5	253.5	439.5	321		26.5
1250	386	466	560	550	459	479	29	306.5	386.5	255	335	250	80	60	65	16x11	48	48	7	66.5	253.5	439.5	320		29.25
1600	478	598	560	550	461	479	29	388.5	518.5	347	467	250	120	90	43.5	12.5x5	54	54	8	66.5	253.5	439.5	288		15

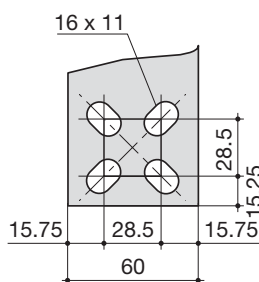
Connection terminals

SIRCOVER and SIRCOVER Bypass 800 A



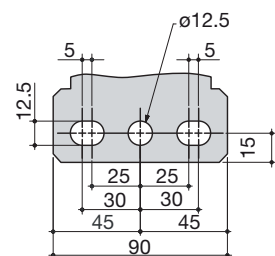
svr_077_a_1_x_cat

SIRCOVER and SIRCOVER Bypass 1250 A



svr_078_b_1_x_cat

SIRCOVER 1600 to 3200 A SIRCOVER Bypass 1600 A



svr_098_a_1_x_cat

SIRCOVER

Manual changeover switches

from 125 to 3200 A

Dimensions for external handles

SIRCOVER 125 to 630 A

Handle type	Direction of operation	Front operation	
		Door drilling	
S2 type			

(1) Ø31 to Ø37: Rear screw mounting Ø37: front clip mounting.

poign_030_a_1_gb_cat

SIRCOVER 800 to 1800 A

Handle type	Direction of operation	Front operation	
		Door drilling	
S4 type			

(1) Ø31 to Ø37: Rear screw mounting Ø37: front clip mounting.
(2) Ø6 to Ø7: clip mounting.

poign_031_a_1_gb_cat

SIRCOVER 2000 to 3200 A

Handle type	Direction of operation	Front operation	
		Door drilling	
S5 type with V Escutcheon			

poign_023_a_1_gb_cat

SIRCOVER Bypass 125 to 200 A

Handle type	Direction of operation	Front operation	
		Door drilling	
S2 type			<div style="display: flex; justify-content: space-around;"> <div> <p>With lock RONIS EL11AP</p> </div> <div> <p>With lock CASTELL K</p> </div> </div>

(1) Ø31 to Ø37: Rear screw mounting Ø37: front clip mounting.

SIRCOVER Bypass 250 to 630 A

Handle type	Direction of operation	Front operation	
		Door drilling	
S3 type			<div style="display: flex; justify-content: space-around;"> <div> <p>With lock RONIS EL11AP</p> </div> <div> <p>With lock CASTELL K</p> </div> </div>

(1) Ø31 to Ø37: Rear screw mounting Ø37: front clip mounting.

SIRCOVER Bypass 800 to 1600 A

Handle type	Direction of operation	Front operation	
		Door drilling	
C type			<p>With lock CASTELL K</p>