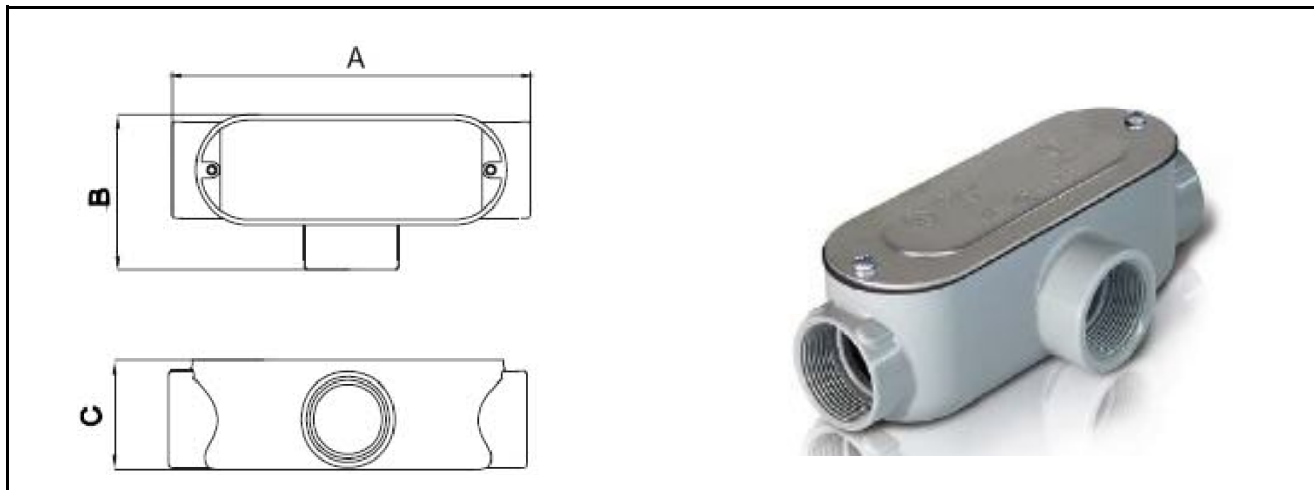


## Threaded Conduit Body with cover and gasket

Die Cast Aluminum  
Type T

CAT#	Trade Size	A	B	C
		( inch )		
T-050CF	1/2"	4-11/16"	2-1/32"	1-3/8"
T-075CF	3/4"	5-1/2"	2-5/16"	1-5/8"
T-100CF	1"	6-7/16"	2-11/16"	1-7/8"
T-125CF	1-1/4"	8-3/8"	3-1/2"	2-1/2"
T-150CF	1-1/2"	8-3/8"	3-1/2"	2-1/2"
T-200CF	2"	10-9/16"	4-9/32"	3-3/8"



**USE:** To join Rigid Conduit or IMC and provide access to the interior of the raceway system for wire pulling, maintenance, additions or splicing as permitted by the National Electrical Code. The configuration of threaded entrances and covers permits installation and access from the appropriate direction.