

EMT Set Screw Type Connector-Steel

Features:

- Set Screw type connector
- Concrete tight when taped
- Assembled with a steel locknut
- Available with insulated throat

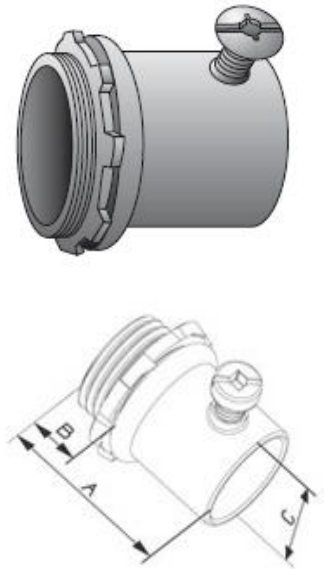
Standard Material:

- Steel

Standard Finish:

- Zinc Plated

CAT #	Size	Dimensions in(inches)		
		A	B	C
		Body Length	Thread Length	Dia.
		±0.005	±0.005	±0.005
H-50S	1/2"	1.007	0.447	0.847
H-75S	3/4"	1.150	0.445	1.070
H-100S	1"	1.335	0.525	1.340
H-125S	1-1/4"	1.619	0.636	1.690
H-150S	1-1/2"	1.600	0.653	1.925
H-200S	2"	1.635	0.740	2.385
H-250S	2-1/2"	2.380	0.880	2.880
H-300S	3"	2.880	0.880	3.750
H-400S	4"	3.190	1.000	4.750



★ Consult Manufacturer for Proper Installation

Applications:

- Use to join EMT to box or enclosure in dry locations .