

Straight Squeeze Connector

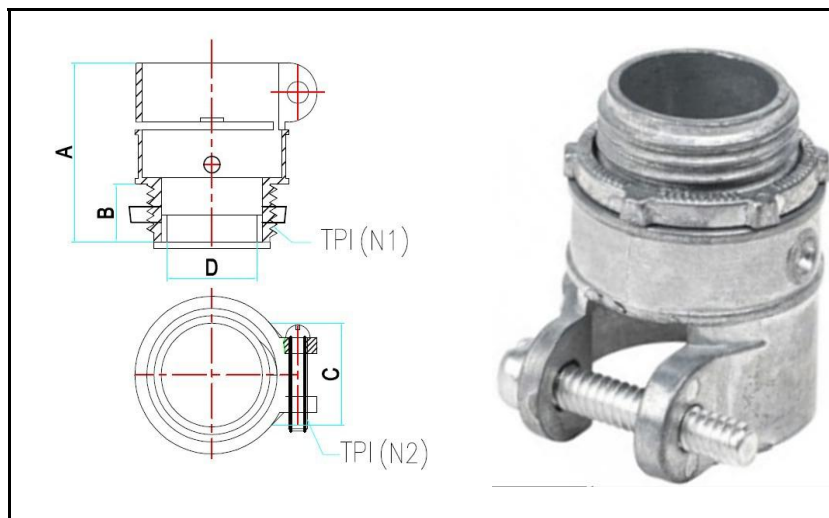
Features:

- Squeeze type straight
- Available with insulated throat

Standard Material:

- Zinc Die Cast

CAT #	Size	Dimensions in(inches)				TPI (N1)	Specification of Screws		No.of Screws Used	No.of Lock nuts Used
		A	B	C	D		Nominal Size&TPI(N2)	Series Designation of TPI(N2)		
		±0.005	±0.005	±0.005	±0.005					
SSC-038	3/8"	0.906	0.335	0.622	0.622	14	10-24	UNC	1	1
SSC-050	1/2"	1.378	0.394	0.563	0.622	14	10-24	UNC	1	1
SSC-075	3/4"	1.496	0.433	1.114	0.819	14	10-24	UNC	1	1
SSC-100	1"	1.673	0.492	1.389	1.012	11.5	10-24	UNC	1	1
SSC-125	1-1/4"	1.862	0.563	1.642	1.378	11.5	10-24	UNC	1	1
SSC-150	1-1/2"	1.957	0.691	1.961	1.614	11.5	10-24	UNC	1	1
SSC-200	2"	2.134	0.669	2.461	2.071	11.5	10-24	UNC	1	1
SSC-250	2-1/2"	2.815	0.847	2.362	2.519	8	1/4-20	UNC	2	1
SSC-300	3"	3.209	0.847	2.953	3.149	8	1/4-20	UNC	2	1
SSC-400	4"	3.957	0.886	3.819	4.094	8	1/4-20	UNC	2	1



Applications:

- Use to Terminate Standard Flexible Metal Conduit, to a Knockout of Dry Location Box or Enclosure.
- Locknut Material: Zinc Alloy

★ Consult Manufacturer for Proper Installation