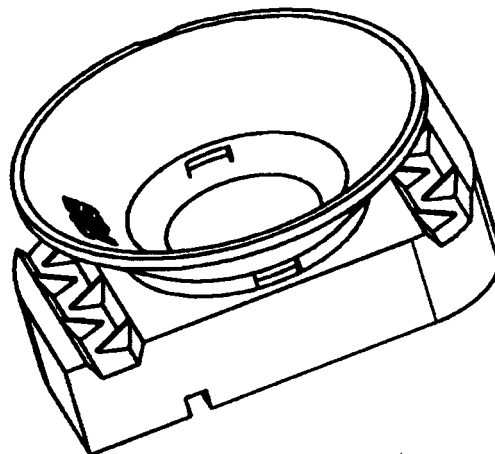
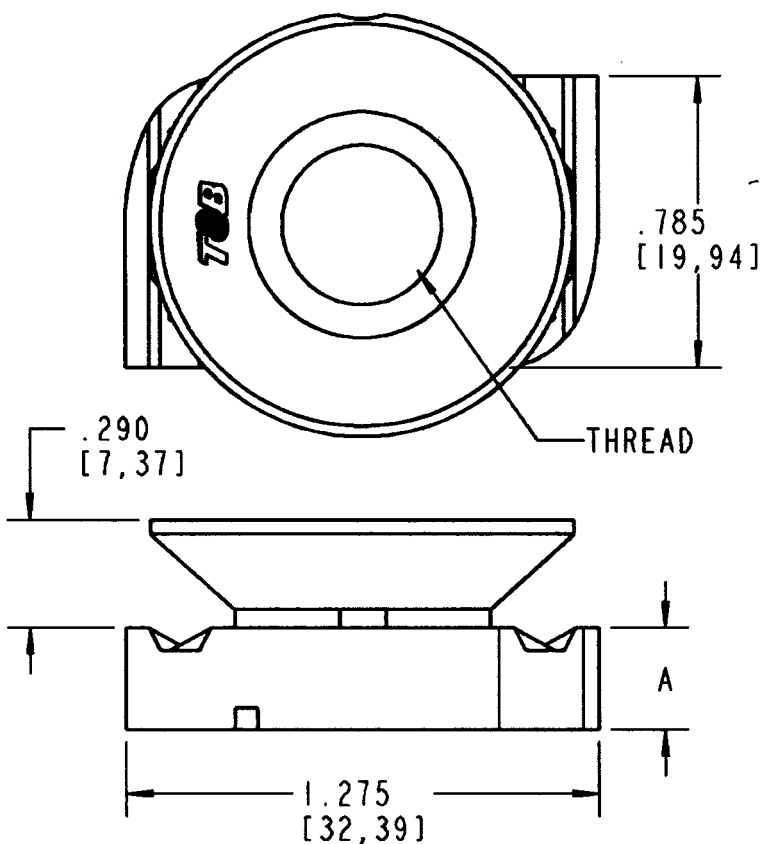


Kindorf



NOTES:

1. MATERIAL:
 CHANNEL NUT: CARBON STEEL
 CONE: NYLON - T&B BLUE IN COLOR
2. ALL CONES SHALL PERMANENTLY ADHERED TO CHANNEL NUT
3. ALL CONE NUTS SHALL BE ZINC PLATED WITH GALV-KROM® FINISH

| | | | | |
|------------|-------------------------|------------|-------------|-----------|
| BC-910 1/2 | 1/2" UNIVERSAL CONE NUT | .358 (9.1) | 1/2"-13 UNC | GALV-KROM |
| BC-910 3/8 | 3/8" UNIVERSAL CONE NUT | .358 (9.1) | 3/8"-16 UNC | GALV-KROM |
| BC-910 1/4 | 1/4" UNIVERSAL CONE NUT | .238 (6.1) | 1/4"-20 UNC | GALV-KROM |
| CAT # | DESCRIPTION | DIM "A" | THREAD | FINISH |

| GENERAL NOTES | | Thomas & Betts www.tnb.com | | | |
|---|--|---|---------------------|---------------|----------------------------------|
| 1. ALL DIMENSIONS ARE FOR REFERENCE ONLY. 2. DIMENSIONS IN BRACKETS [] ARE IN METRIC UNITS. | | DESCRIPTION: UNIVERSAL CONE NUT | | | |
| REVISIONS | | | | | |
| - SEE ERM (****) FOR APPROVAL SIGNATURES & RELEASE DATE. PROJECT NO: **** | | ORIGINAL PROJECT NO / (ERM NO) 005D00004 / (2013203) | SHEET NO: 1 OF 1 | REV. NO: - | DRAWING NO: WSD-001059 |

THIS DRAWING IS INTENDED FOR DESCRIPTIVE PURPOSES ONLY, AND THE RIGHT IS RESERVED TO DEVIATE FROM ANY OF THE DETAILS SHOWN HEREON. COPYRIGHT THOMAS & BETTS CORPORATION. ALL RIGHTS RESERVED. PROPRIETARY AND CONFIDENTIAL.