

# **Valdinox**

THE CABLE TRAY COMPANY

---

## Technical Datasheet

SOC 10-40

Clic Omega support for wall

**EGELICK**



# Contents

1. General Characteristics.....	3
2. Materials / Finishes .....	3
3. Specific characteristics.....	4
4. Safe Working Load Capacity (SWL).....	5
5. EASYCONNECT® Cable Basket Trays Corresponding.....	6
6. Installation Instructions .....	6
7. Drawings .....	7

# 1. General Characteristics

Product references: SOC10; SOC15; SOC20; SOC30; SOC40

Definition: Clic Omega support for wall.

Support used for wall and ceiling installations.

High resistance and workload capacity support: high quality manufacturing processes.

## 2. Materials / Finishes



Sendzimir Galvanized, also called Pre-Galvanized, according to UNE-EN 10346

Material	Steel DX51D + Z275 MAC
Tensile Strength	36,7 Kg/ mm <sup>2</sup>
Yield Strength	30,6 Kg/ mm <sup>2</sup>
Corrosion Resistance	Classified 3 according to IEC 61537



Hot Dip Galvanized coating according to ISO 1461, covering the steel sheet with a previous sendzimir galvanized coating

Material	Steel DX51D + Z275 MAC
Tensile Strength	36,7 Kg/ mm <sup>2</sup>
Yield Strength	30,6 Kg/ mm <sup>2</sup>
Corrosion Resistance	Classified 8 according to IEC 61537



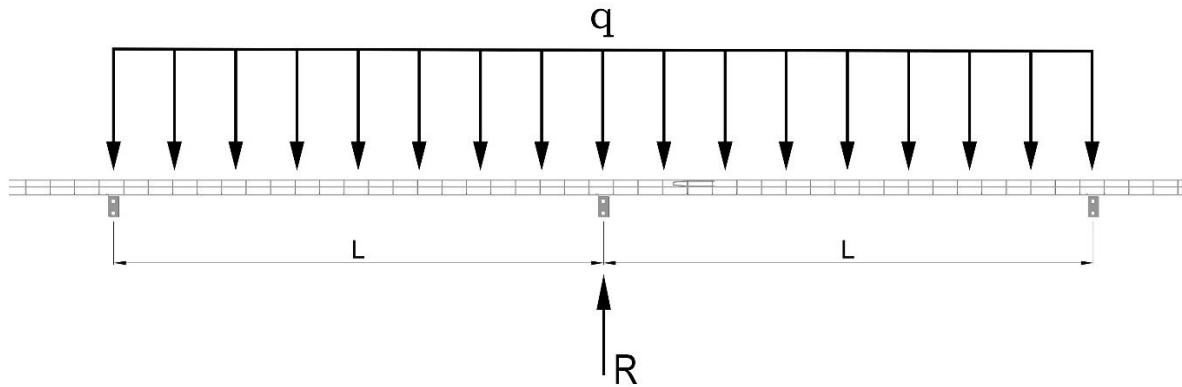
Austenitic Stainless Steel, with a passivation process to remove all particles and contaminants of the manufacturing process

Material	Stainless steel (passivated) - AISI 304 or 316L
Tensile Strength	79,3 Kg/ mm <sup>2</sup>
Yield Strength	71,3 Kg/ mm <sup>2</sup>
Corrosion Resistance	Classified 9D according to IEC 61537

### 3. Specific characteristics

Ref. Code	Height (mm)	Length (mm)	Thickness (mm)	Weight (Kg/unit)	Package (units)
SOC10SG	115	215	2	0,342	10
SOC15SG	115	265	2	0,395	10
SOC20SG	115	315	2	0,447	10
SOC30SG	115	415	2	0,554	10
SOC40SG	115	515	2	0,660	5
SOC10HDG	115	215	2	0,393	10
SOC15HDG	115	265	2	0,454	10
SOC20HDG	115	315	2	0,514	10
SOC30HDG	115	415	2	0,637	10
SOC40HDG	115	515	2	0,759	5
SOC10IN	115	215	2	0,342	10
SOC15IN	115	265	2	0,395	10
SOC20IN	115	315	2	0,447	10
SOC30IN	115	415	2	0,554	10
SOC40IN	115	515	2	0,660	5

## 4. Safe Working Load Capacity (SWL)



$$R = \frac{5qL}{4}$$

$R \rightarrow$  Reaction forces at the support due to the forces acting on the cable tray.

$q \rightarrow$  Maximum load should be the tested SWL (Safe Working Load) of the appropriate EASYCONNECT® Cable Tray according to the used support.

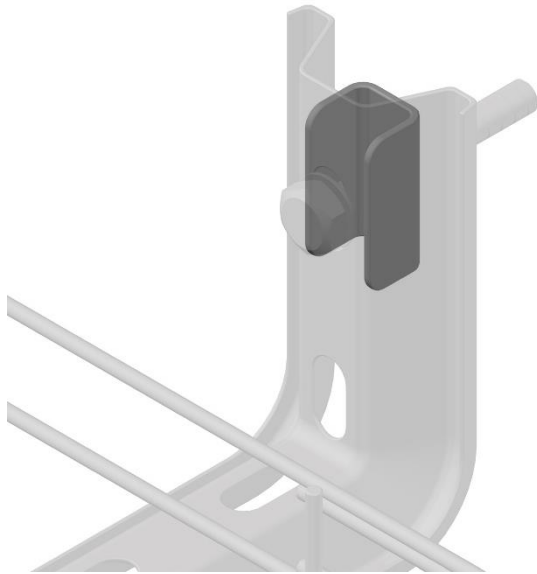
$L \rightarrow$  Distance between supports should not be higher than 2 meters.

Support Reference	R (L=1m) (N/m)	R (L=1,5m) (N/m)	R (L=2m) (N/m)
<b>SOC10</b>	513	705	605
<b>SOC15</b>	842	975	897
<b>SOC20</b>	928	1078	997
<b>SOC30</b>	1102	1284	1200
<b>SOC40</b>	1276	1490	1400

## 5. EASYCONNECT® Cable Basket Trays Corresponding

Support Reference	EASYCONNECT® EC30 Cable Basket Tray Ref.	EASYCONNECT® EC60 Cable Basket Tray Ref.	EASYCONNECT® EC100 Cable Basket Tray Ref.
SOC10	EC30.100	EC60.100	--
SOC15	EC30.150	EC60.150	EC100.150
SOC20	EC30.200	EC60.200	EC100.200
SOC30	EC30.300	EC60.300	EC100.300
SOC40	--	EC60.400	EC100.400

## 6. Installation Instructions



To anchor this support to a wall, it's convenient to use an omega spacer support (ref. ENT) to make the work of holding the screw easier and to firm up the fixing.

If it was necessary to secure the support to the ceiling, the recommended method to make it, is to anchor at the end of the support a threaded rod with nuts (ref. VR & TVR), due to the perforated end which provides.

Thanks to EC-CLICK system, the EASYCONNECT® wire cable trays are easy to install on this support, choosing previously the correct support size depending on the width of the cable tray to install.

## 7. Drawings

