



**Valdinox**

THE CABLE TRAY COMPANY

---

# Technical Datasheet

**MCLIC**

MCLIC clamp

**EGELICK**



# Contents

1. General Characteristics.....	3
2. Materials / Finishes .....	3
3. Specific characteristics.....	3
4. EASYCONNECT® Cable Basket Trays Corresponding.....	4
5. Installation Instructions .....	4
6. Drawing .....	5

# 1. General Characteristics

Product references: MCLIC-3,9; MCLIC-4,3; MCLIC-4,8.

Definition: MCLIC clamp.

UNIVERSAL wire clamp for shaping curves, angles, reductions and T-joins.

Suitable for EZ and HDG EASYCONNECT cable trays.

Patented by VALDINOX.

## 2. Materials / Finishes



Dip-spinning Non-electrolytically Zinc Flake coating. Rohs free of hexavalent chromium

<b>Material</b>	Hard Carbon Steel
<b>Corrosion Resistance</b>	>1000h NSS according to ISO 9227

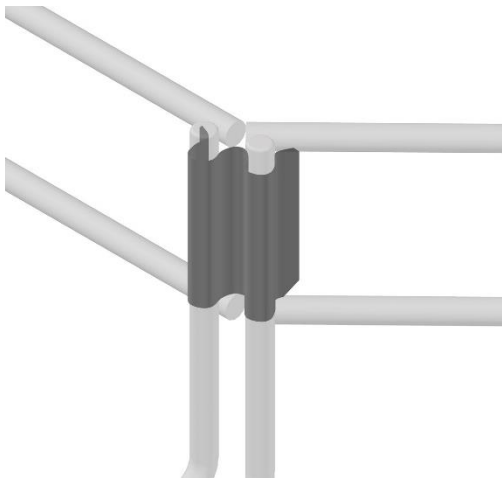
## 3. Specific characteristics

Ref. Code	Height (mm)	Width (mm)	Length (mm)	Weight (Kg/unit)	Package (units)
MCLIC-ZF 3,9	9	13	23	0,002	100
MCLIC-ZF 4,3	9	13	23	0,002	100
MCLIC-ZF 4,8	9	13	23	0,002	100

## 4. EASYCONNECT® Cable Basket Trays Corresponding

Product Reference	EASYCONNECT® EC30 Cable Basket Tray Ref.	EASYCONNECT® EC60 Cable Basket Tray Ref.	EASYCONNECT® EC100 Cable Basket Tray Ref.
MCLIC-ZF 3,9	EC30.060	EC60.060	
	EC30.100	EC60.100	
	EC30.150	EC60.150	-----
	EC30.200	EC60.200	
MCLIC-ZF 4,3	EC30.300	EC60.300	EC100.150
		EC60.400 (base wires)	EC100.200
			EC100.300 (base wires)
MCLIC-ZF 4,8	-----	EC60.400 (side wires)	EC100.300 (side wires)
		EC60.500	EC100.400
		EC60.600	EC100.500
			EC100.600

## 5. Installation Instructions



To anchor this product, only it's necessary to press the MCLIC until the wires enter into the spaces. It can be removed and reutilised easily.

Thanks to EC-CLICK system, this product is easy to install on every EASYCONNECT® wire cable trays, choosing previously the correct product size depending on the wire diameter of the cable tray.

## 6. Drawing

