

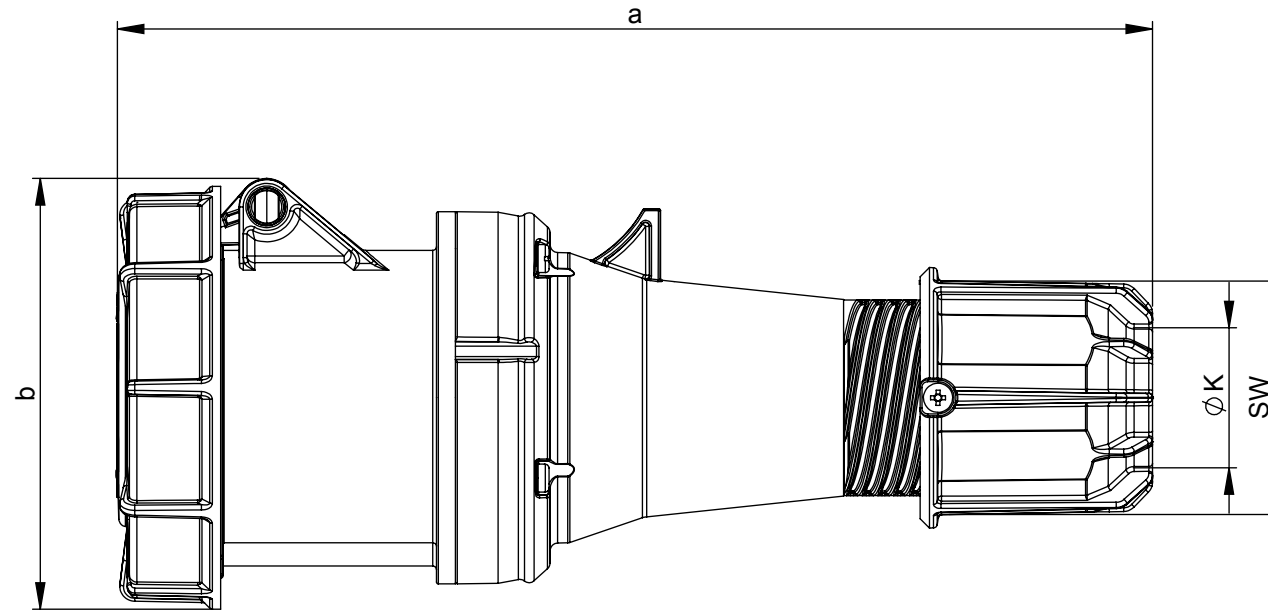
## Maßskizze / dimensional drawing

Benennung: Kupplung 63A IP66/67 POWERWIST

description: Connector 63A IP66/67 POWERWIST

Teilenummer / part number: 233-\*, 234-\*, 235-\*

PCE



Ampere	63		
Pole	3	4	5
a [mm]	269	269	269
b [mm]	114	114	114
K [mm]	14,5-36	14,5-36	14,5-36
SW [mm]	61	61	61